

(12) **United States Patent**  
**Hoernschemeyer**

(10) **Patent No.:** **US 9,716,938 B1**  
(45) **Date of Patent:** **Jul. 25, 2017**

- (54) **HEADSET MOUNT**
- (71) Applicant: **Division Group, LLC**, Houma, LA (US)
- (72) Inventor: **Zach Hoernschemeyer**, Huntsville, AL (US)
- (73) Assignee: **Division Group, LLC**, Houma, LA (US)
- (\* ) Notice: Subject to any disclaimer, the term of this patent is extended or adjusted under 35 U.S.C. 154(b) by 0 days.
- (21) Appl. No.: **15/093,012**
- (22) Filed: **Apr. 7, 2016**

**Related U.S. Application Data**

- (60) Provisional application No. 62/281,490, filed on Jan. 21, 2016, provisional application No. 62/314,756, filed on Mar. 29, 2016.
- (51) **Int. Cl.**  
**H04R 25/00** (2006.01)  
**H04R 1/10** (2006.01)  
**A42B 3/30** (2006.01)
- (52) **U.S. Cl.**  
CPC ..... **H04R 1/1066** (2013.01); **A42B 3/303** (2013.01); **H04R 1/105** (2013.01); **H04R 1/1008** (2013.01)
- (58) **Field of Classification Search**  
CPC ..... H04R 1/1066; A42B 3/303; A42B 3/3003; A42B 3/0406; H04B 1/385

USPC ..... 381/386, 381  
See application file for complete search history.

(56) **References Cited**

U.S. PATENT DOCUMENTS

6,298,249 B1 \* 10/2001 Locarno ..... A42B 3/14  
2/417

\* cited by examiner

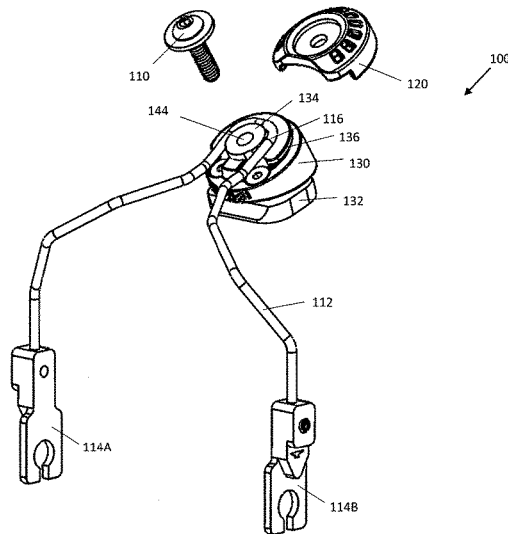
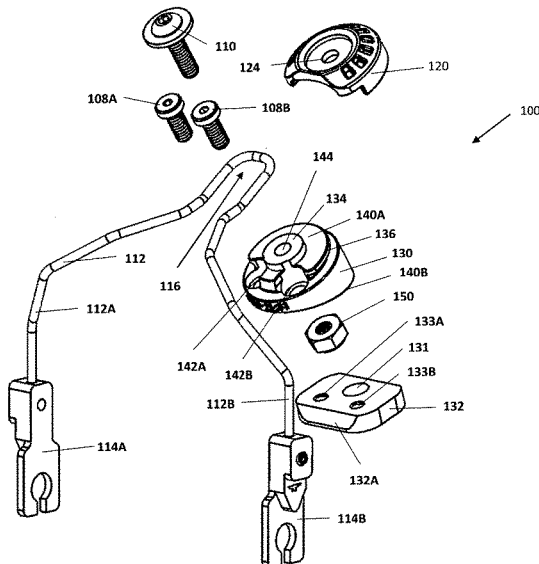
*Primary Examiner* — Sunita Joshi

(74) *Attorney, Agent, or Firm* — Asgaard Patent Services, LLC; F. Wayne Thompson, Jr.

(57) **ABSTRACT**

Implementations of a headset mount are provided. In some implementations, a pair of headset mounts may be used to secure the earpieces of an electronic headset to a helmet having a suitable accessory interface (e.g., a rail system) thereon. In this way, a user wearing the helmet may adjustably position the earpieces of the electronic headset over his/her ears. In some implementations, the headset mount may comprise a housing having a body portion and a top portion, a back plate, and a wire form. In some implementations, the top portion is configured to rotate when secured to the body portion of the housing. In this way, the top portion may be used to rotate a wire form having an earpiece of a headset attached thereto into position (e.g., over the ear of a user and/or on top of the helmet to which the headset mount is secured).

**39 Claims, 19 Drawing Sheets**



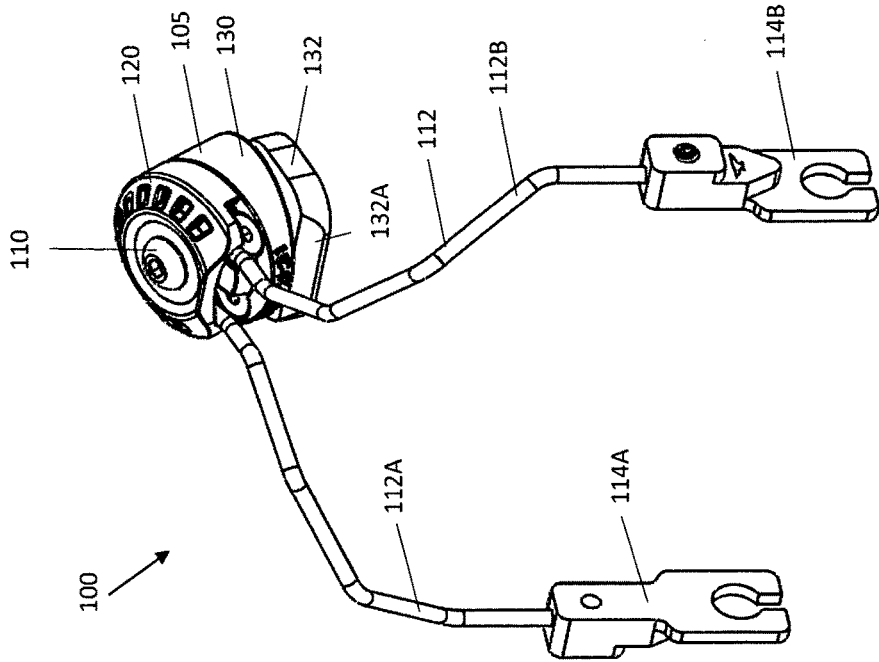


FIG. 1A

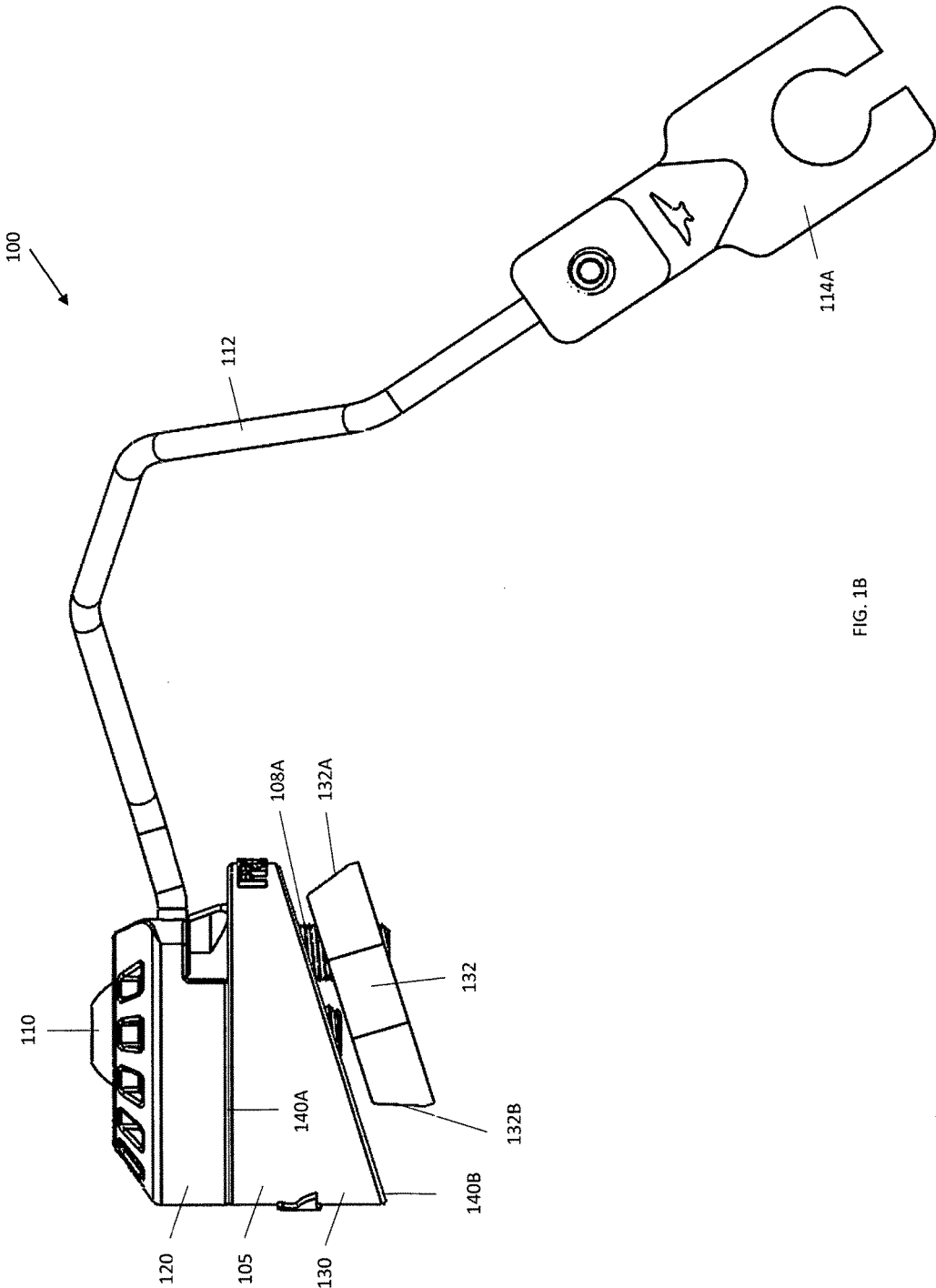


FIG. 1B

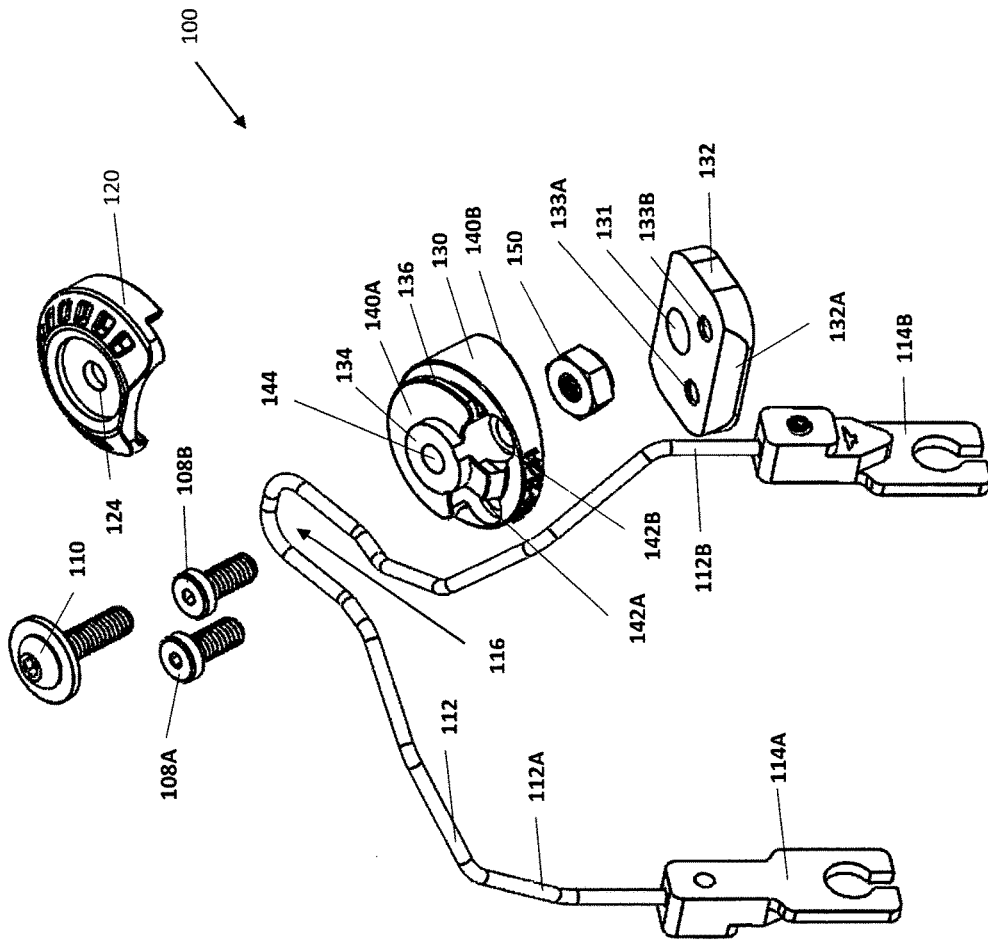


FIG. 2

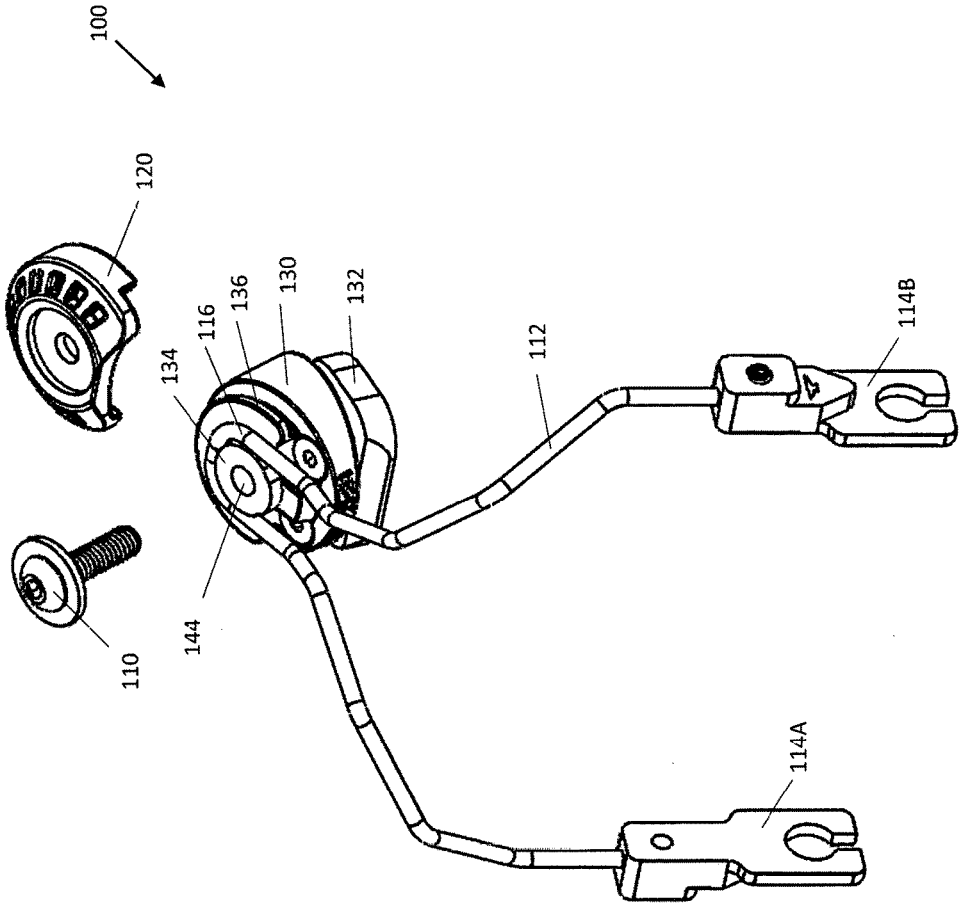


FIG. 3A

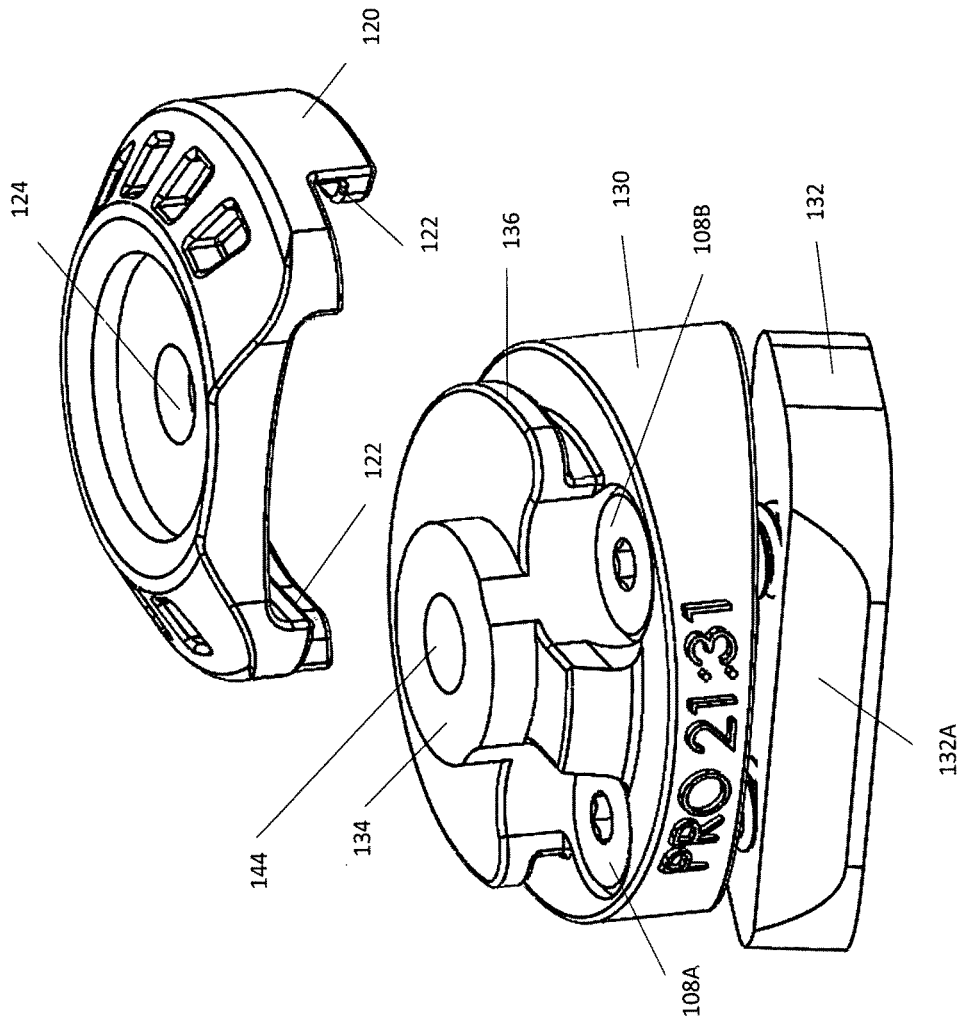


FIG. 3B

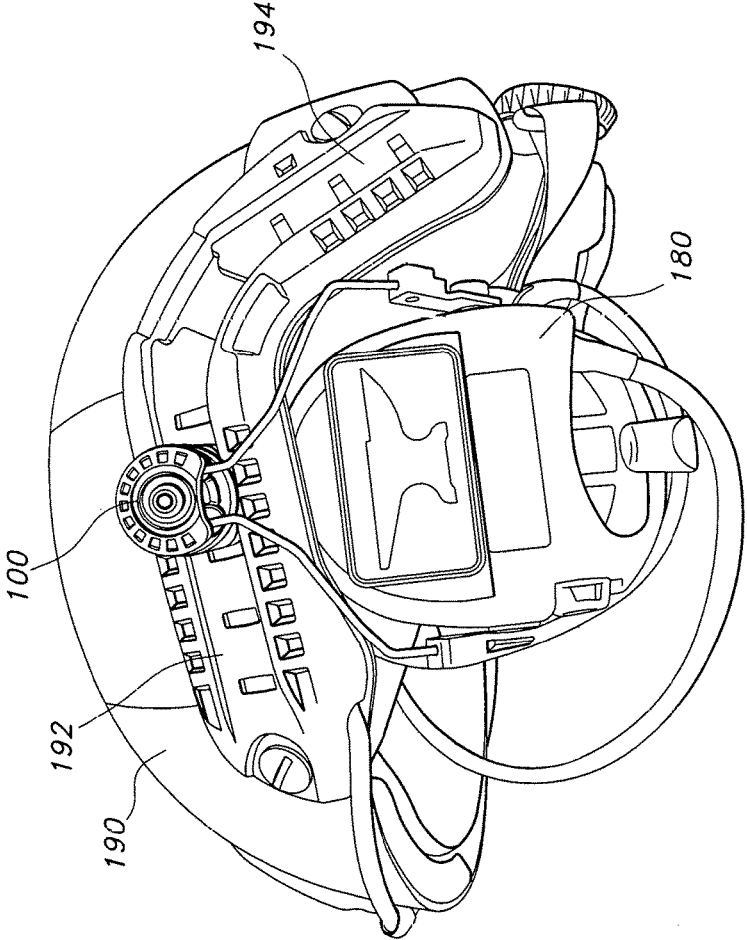


FIG. 4

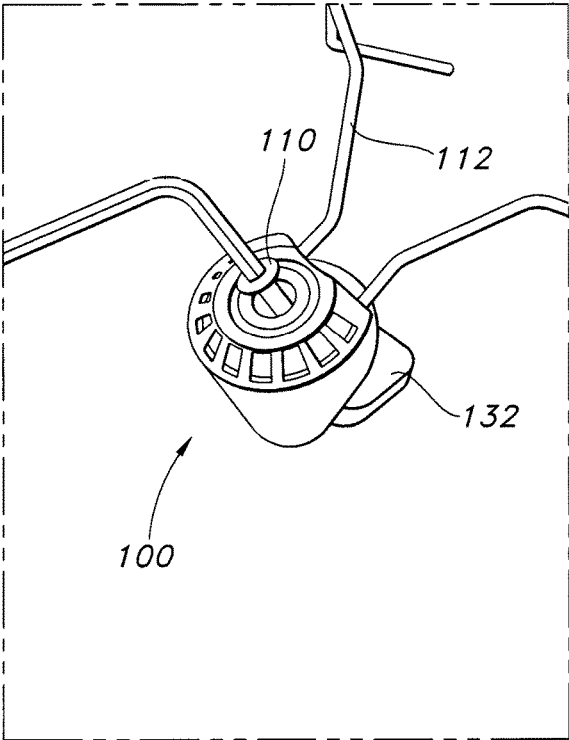


FIG. 5A



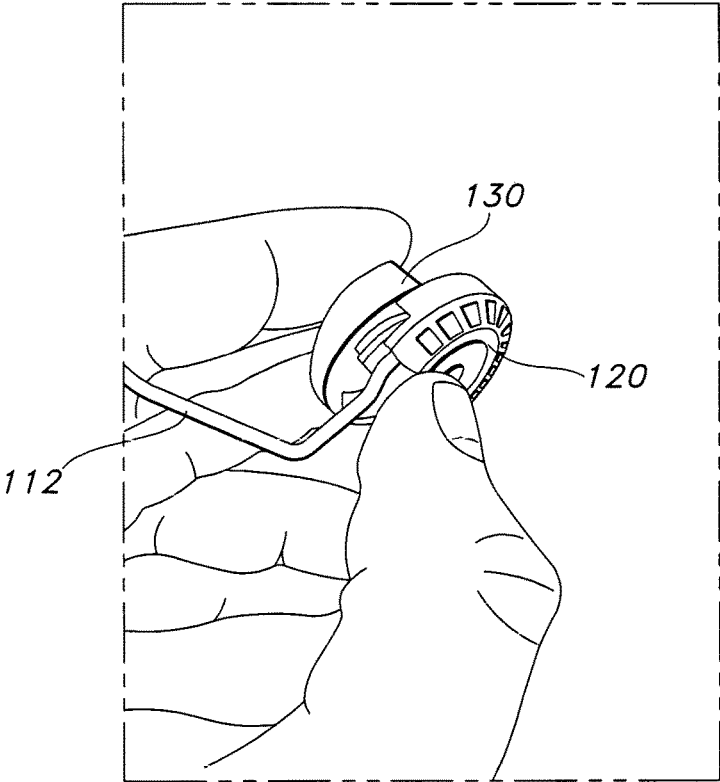


FIG. 5B

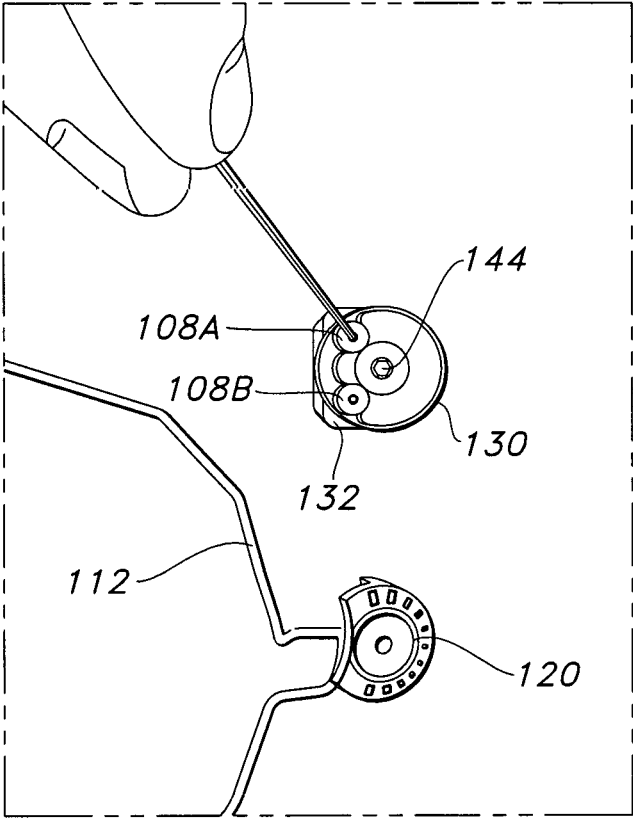


FIG. 5C

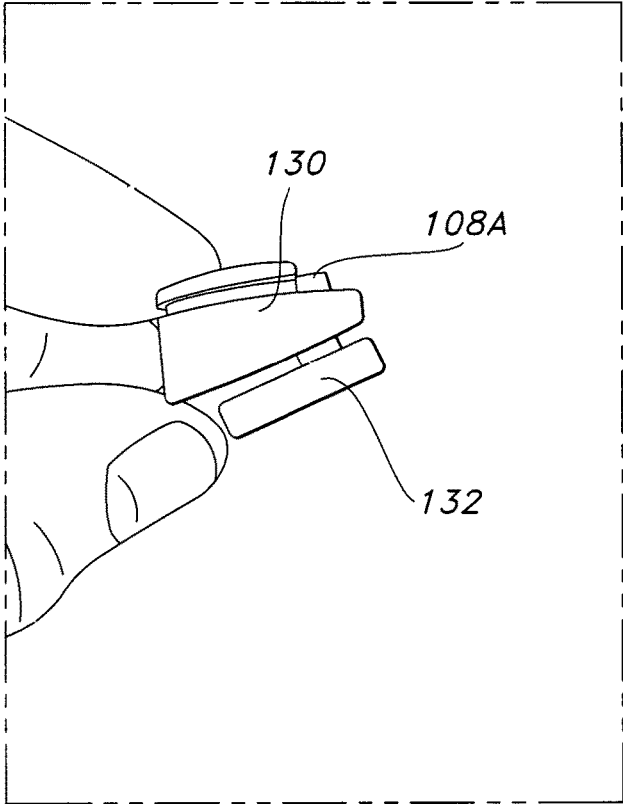


FIG. 5D

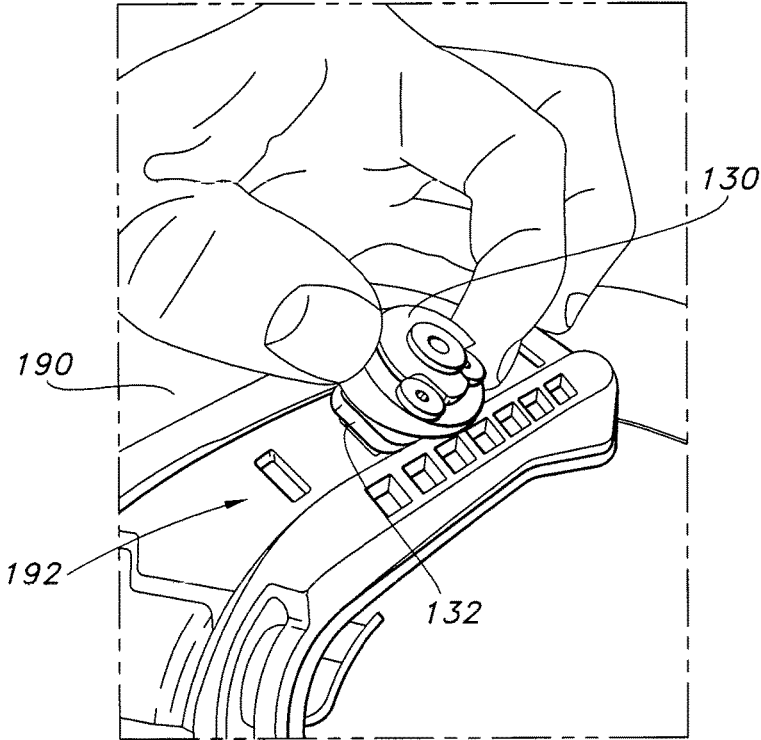


FIG. 5E

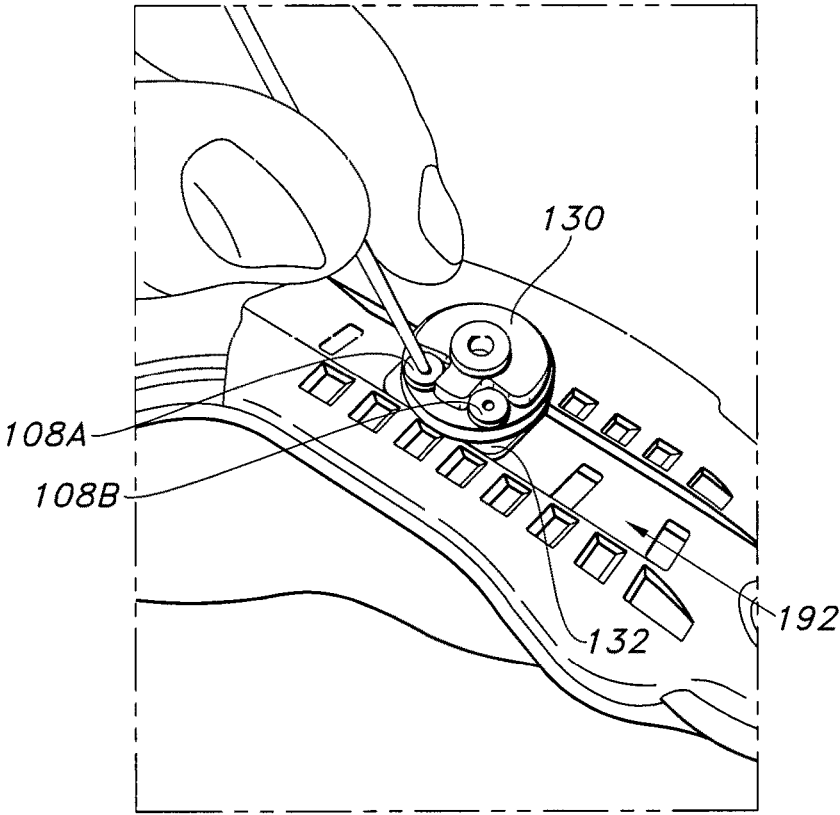


FIG. 5F

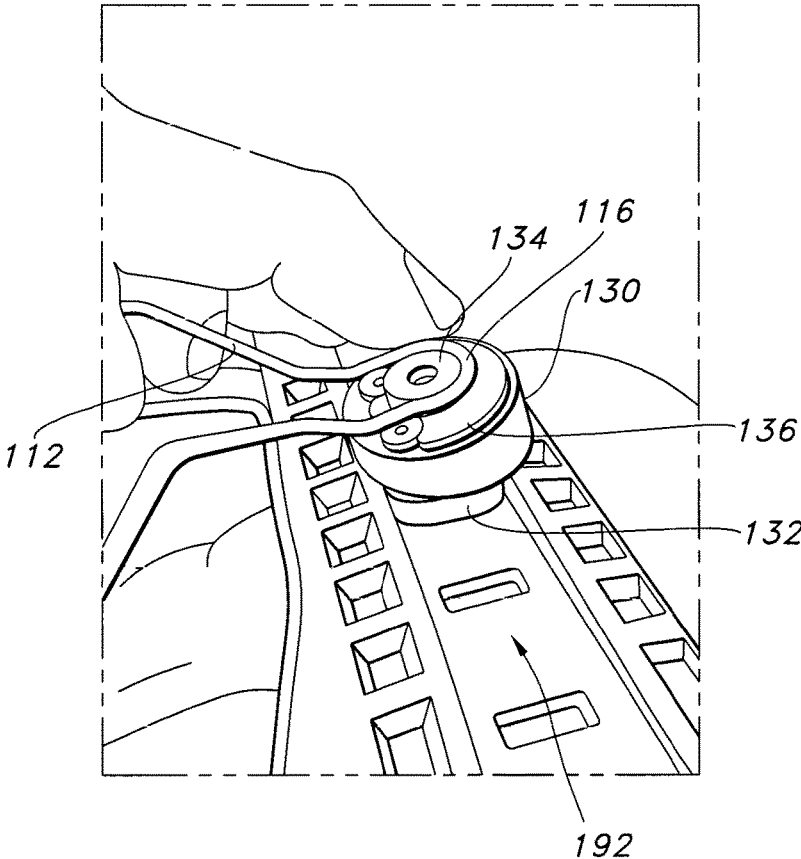


FIG. 5G

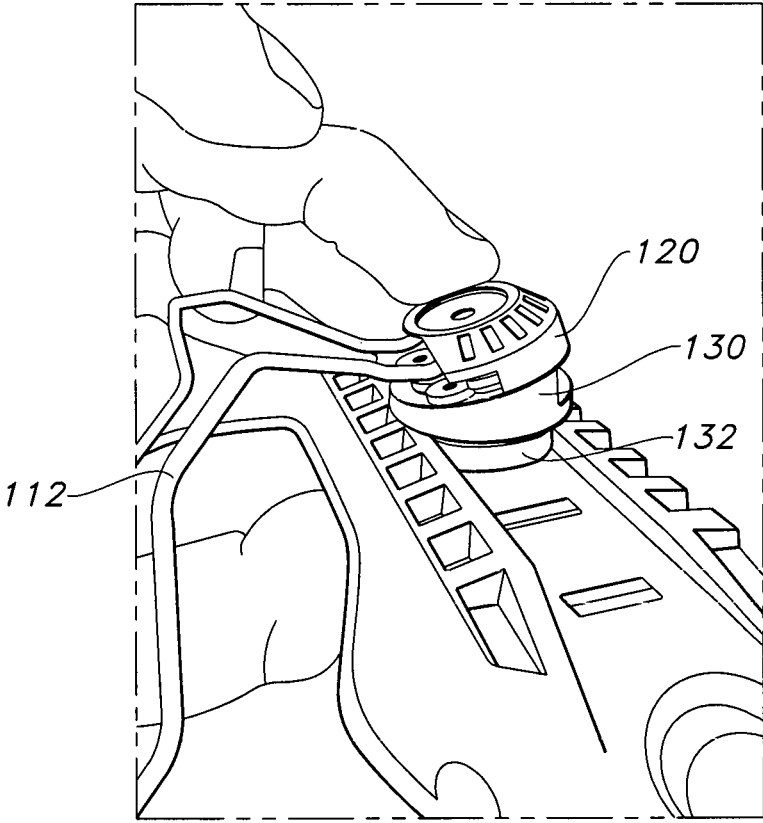


FIG. 5H

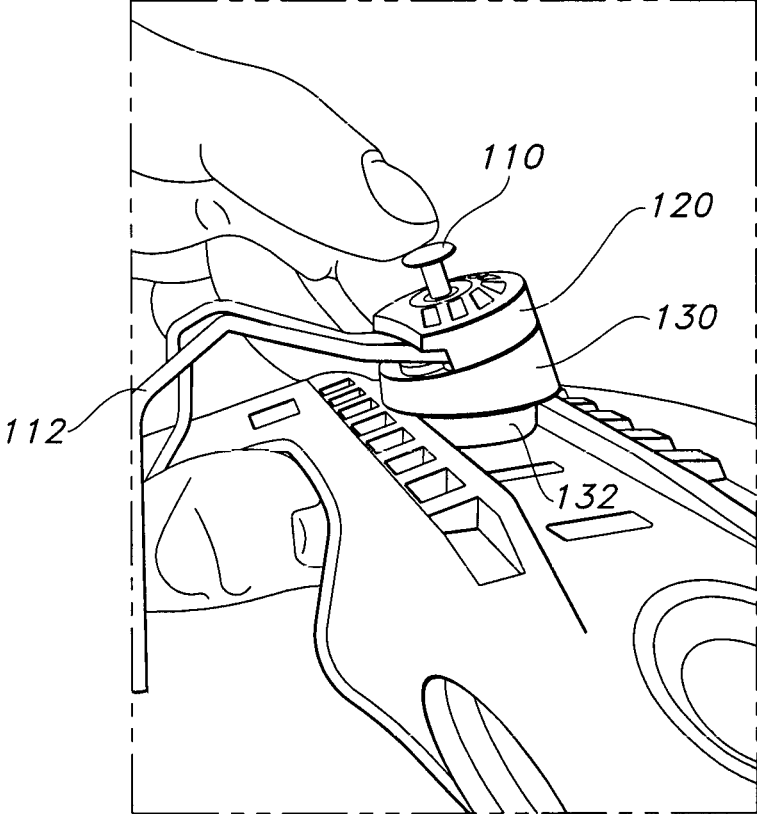


FIG. 5I



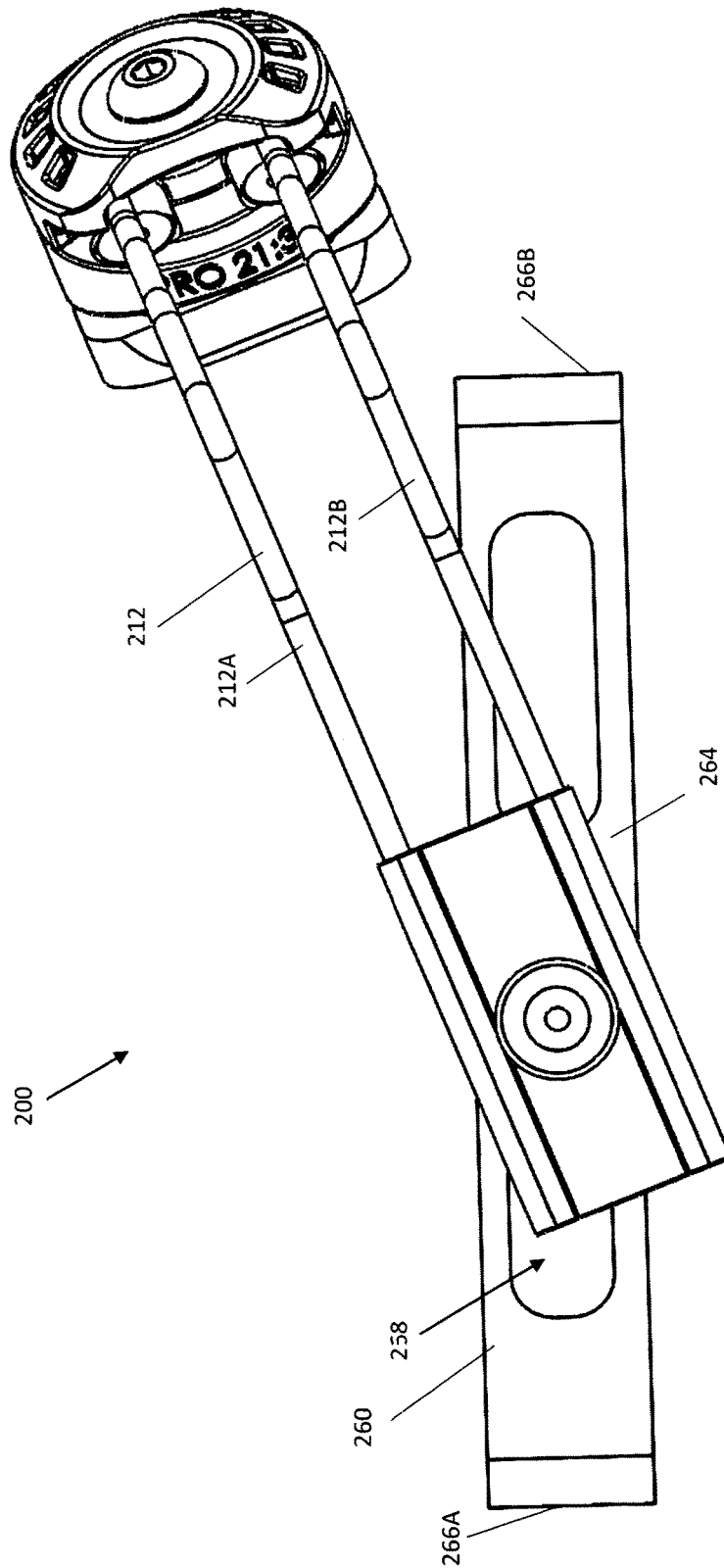


FIG. 6A

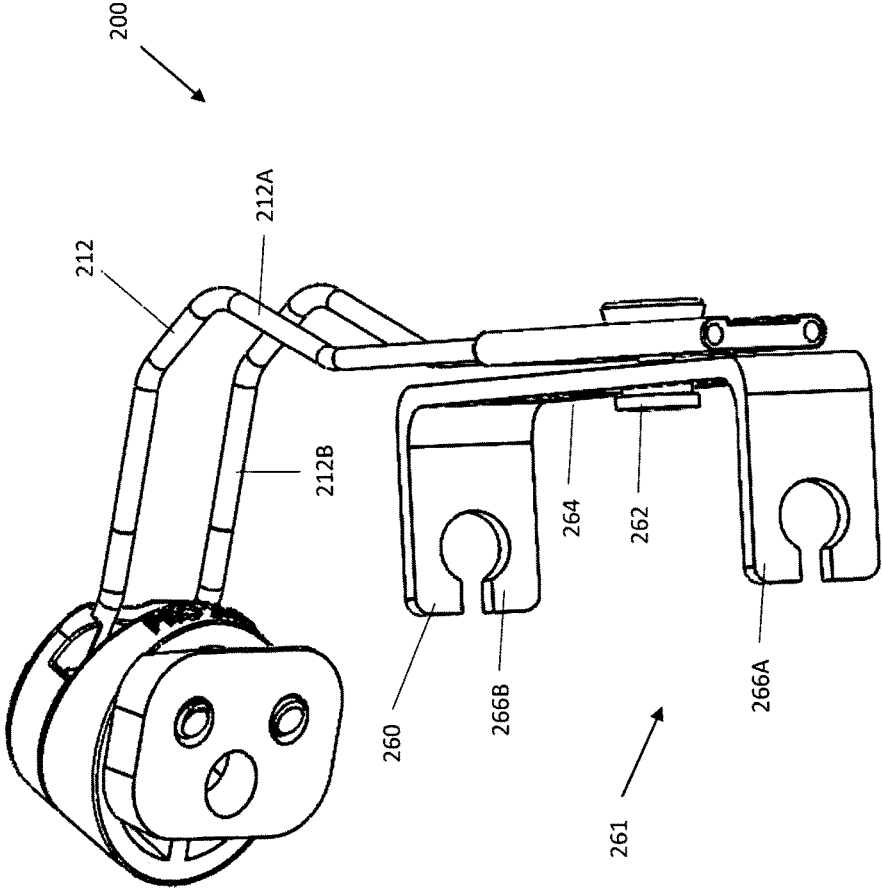


FIG. 6B

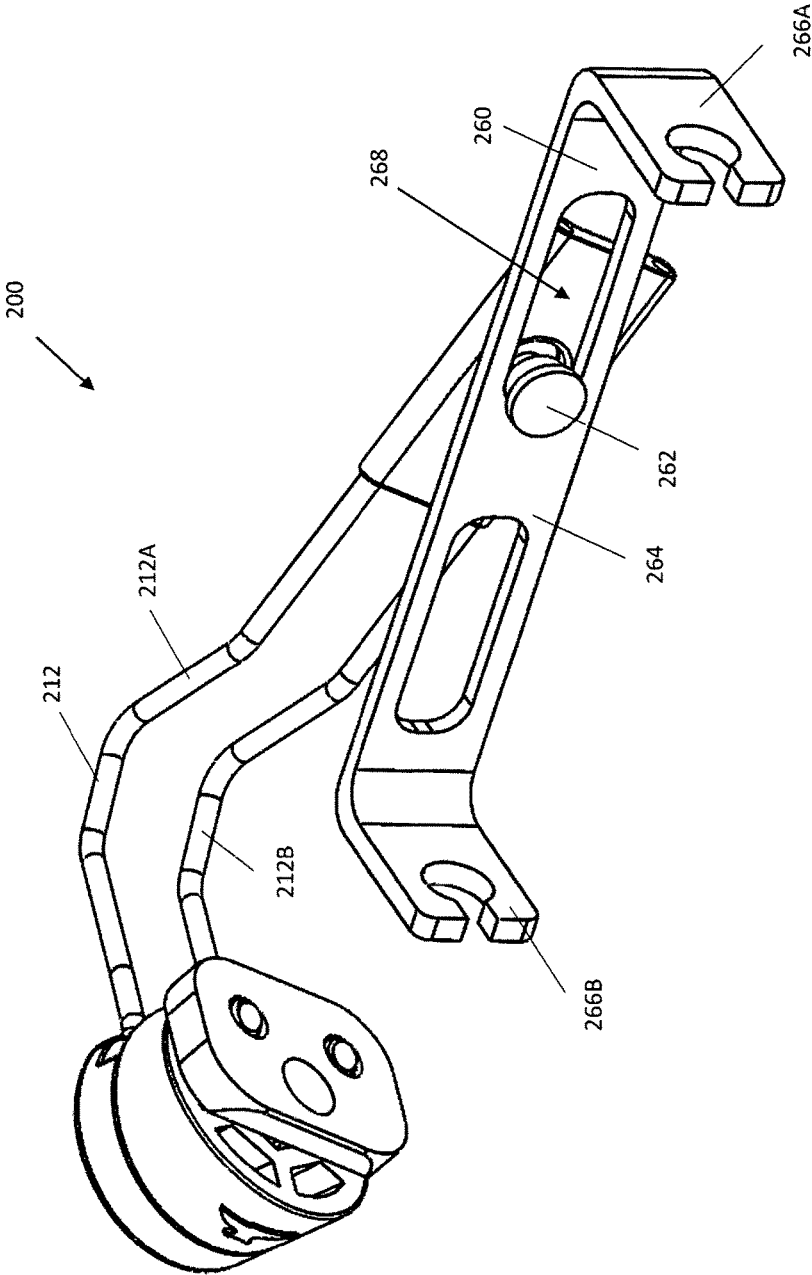


FIG. 6C

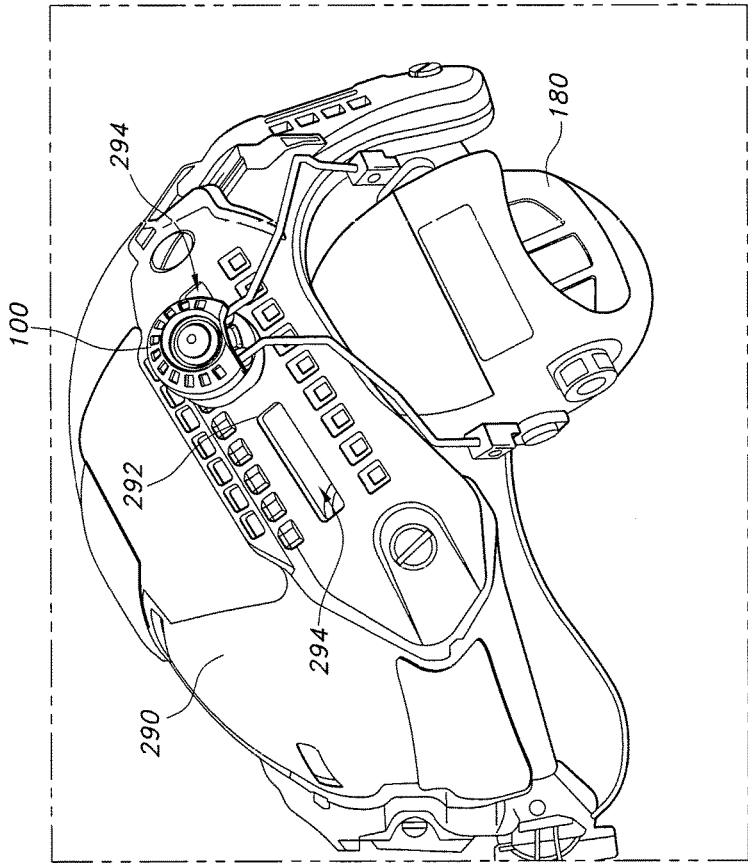


FIG. 7

1

**HEADSET MOUNT****CROSS REFERENCE TO RELATED APPLICATION**

This application claims the benefit of U.S. Provisional Application Ser. No. 62/281,490, filed on Jan. 21, 2016, and U.S. Provisional Application Ser. No. 62/314,756, filed on Mar. 29, 2016, both of which are incorporated herein by reference in their entirety.

**TECHNICAL FIELD**

This disclosure relates to implementations of a headset mount for use with a helmet.

**BACKGROUND**

Headsets are routinely used in both military and law enforcement settings to protect a users hearing and facilitate hands-free communication. Headsets are often used in conjunction with protective headgear such as a helmet. As a result, various products have been developed to couple the earpieces of a headset of a helmet.

The 3M Peltor® ARC adaptor is configured to secure the earpiece of a headset to a helmet. Each ARC adaptor is configured to secure to a FAST helmet rail connection system and includes a wire form movable between a first position and a second position. The wire form's first position places an attached earpiece of a headset against the ear of the user and the second position moves an attached earpiece away from the ear of the user.

However, the 3M Peltor® ARC adaptor has several disadvantages. First, it cannot be secured to a helmet mounted accessory interface other than the FAST helmet rail connection system or a rail system of similar construction. Second, the earpiece secured to each wire form of an ARC adaptor may snag or drag on a foreign object or surface when the wire form is in the second position. Third, the ARC adaptor is not configured to position the earpiece of a headset secured thereto in a non-obstructive position on the helmet to which it is secured when not in use.

**SUMMARY OF THE INVENTION**

Implementations of a headset mount are provided. In some implementations, a pair of headset mounts may be used to secure the earpieces of an electronic headset (e.g., a Peltor® ComTac series headset) to a helmet having a suitable accessory interface (e.g., a rail system) thereon. In this way, a user wearing the helmet may adjustably position the earpieces of the electronic headset over his/her ears. In some implementations, each headset mount may be configured to rotatably position the earpiece of an electronic headset over the ear of a user and/or on top of the helmet to which the headset mount is secured. In some implementations, the headset mount may be configured to attach to an Ops-Core ARC rail, Crye Precision AirFrame rail, Team Wendy, and/or MTEK rail systems, and/or rail systems of similar design and construction.

In some implementations, the headset mount may comprise a housing having a body portion and a top portion, a back plate, and a wire form. In some implementations, the top portion is configured to rotate when secured to the body portion of the housing. In this way, the top portion may be used to rotate a wire form having an earpiece of a headset attached thereto into position (e.g., over the ear of a user).

2

In some implementations, the body portion of the housing may have the general shape of a cylindrical segment (also referred to as a truncated cylinder). In some implementations, the top side of the body portion may have a protrusion extending therefrom. In some implementations, the protrusion may be configured to be received within a bend in the wire form and allow it to pivot thereabout.

In some implementations, the body portion of the housing may have a lip extending therefrom. In some implementations, the lip is configured to be received within a groove positioned about the interior of the top portion. In this way, the top portion rotates about the lip of the body portion.

In some implementations, the back plate of the headset mount may be configured to be received within the rail channel of a helmet rail system.

In some implementations, the wire form is configured to be rotatably secured to the housing of the headset mount. In some implementations, the bend in the wire form may be configured to fit about the protrusion extending from the body portion of the housing and rotate thereabout. In some implementations, the wire form may have a first arm and a second arm extending from the bend therein. In some implementations, the distal end of the first arm and the second arm each have an adaptor thereon configured to secure the earpiece of a headset to the wire form of the headset mount.

In another example implementation of a headset mount according to the principles of the present disclosure, the headset mount is similar to the headset mount discussed above but may include a sliding, rotatable bracket that is secured to the wire form.

In some implementations, a pivot is provided at the distal end of the wire forms arms. In some implementations, the pivot may be configured to secure the bracket to the wire form. In some implementations, the pivot is configured to be received within a slot in the bracket. In this way, the pivot may be used to slidably secure the bracket to the wire form. In some implementations, the pivot includes a rounded bearing surface about which the bracket may rotate.

In some implementations, the bracket is configured to secure the earpiece of a headset to the wire form of the headset mount. In some implementations, the body portion of the bracket may include at least one slot therein. In some implementations, the slot is configured to receive therein, slide on, and rotate about a portion of the pivot of the wire form. In some implementations, the slot is configured to allow the relative position of the opening defined by the bracket to be adjusted relative to the wire form of the headset mount. In this way, a user may adjustably position the earpiece of a headset held by the bracket over their ear.

**BRIEF DESCRIPTION OF THE DRAWINGS**

FIGS. 1A-1B, 2, and 3A-3B illustrate an example implementation of a headset mount according to the principles of the present disclosure.

FIG. 4 illustrates a headset mount secured to a helmet having a rail system thereon.

FIGS. 5A-5I illustrate an example method of installing the headset mount of FIGS. 1A-1B, 2, and 3A-3B onto a helmet having a rail system.

FIGS. 6A-6C illustrate another example implementation of the headset mount according to the principles of the present disclosure.

FIG. 7 illustrates a headset mount secured to a helmet having another rail system thereon.

#### DETAILED DESCRIPTION

FIGS. 1A-1B, 2, and 3A illustrate an example implementation of a headset mount 100 according to the principles of the present disclosure. In some implementations, a pair of headset mounts 100 may be used to secure the earpieces of an electronic headset (e.g., a Peltor® ComTac series headset) to a helmet 190 having a suitable accessory interface 192 (e.g., a rail system) thereon (see, e.g., FIG. 4). In this way, a user wearing the helmet 190 may adjustably position the earpieces of the electronic headset over his ears. In some implementations, each headset mount 100 may be configured to rotatably position the earpiece of an electronic headset over the ear of a user or on top of the helmet to which the headset mount 100 is secured. In some implementations, the headset mount 100 may be configured to attach to an Ops-Core ARC rail, Crye Precision AirFrame rail, Team Wendy, and/or MTEK rail systems.

As shown in FIGS. 1A-1B, and 2, in some implementations, the headset mount 100 may comprise a housing 105 having a body portion 130 and a top portion 120, a back plate 132, and a wire form 112. In some implementations, the top portion 120 is configured to rotate when secured to the body portion 130 of the housing 105. In this way, the top portion 120 may be used to rotate a wire form 112 having an earpiece 180 of a headset attached thereto into position (e.g., over the ear of a user).

As shown in FIG. 1B, in some implementations, the body portion 130 of the housing 105 may have the general shape of a cylindrical segment (also referred to as a truncated cylinder). In some implementations, the body portion 130 of the housing 105 may be any suitable shape.

As shown in FIG. 2, in some implementations, the top side 140A of the body portion 130 may have a protrusion 134 extending therefrom. In some implementations, the protrusion may have a cylindrical, or generally cylindrical, shape (see, e.g., FIG. 3B). In some implementations, the protrusion 134 may be configured to be received within a bend 116 in the wire form 112 and allow it to pivot thereabout (see, e.g., FIG. 3A).

As shown in FIGS. 2 and 3B, in some implementations, the body portion 130 may have a lip 136 extending therefrom. In some implementations, the lip 136 is configured to be received within a groove 122 positioned about the interior of the top portion 120 (see, e.g., FIG. 3B). In this way, the top portion 120 may rotate about the lip 136 of the body portion 130. In some implementations, the lip 136 may extend in a semicircular arc about the protrusion 134 of the body portion 130 (see, e.g., FIG. 2).

In some implementations, a first opening 142A, a second opening 142B, and a third opening 144 may extend through the body portion 130 of the housing, between a top side 140A and a bottom side 140B thereof (see, e.g., FIGS. 1B and 2). In some implementations, the third opening 144 may extend through the protrusion 134 of the body portion 130 (see, e.g., FIG. 2).

As shown in FIG. 3B, the top portion 120 may have a generally circular shape. In some implementations, the top portion 120 may be any suitable shape. In some implementations, the groove 122 may extend about the interior of the top portion 120. In this way, the groove 122 may receive the lip 136 of the body portion 130 therein (see, e.g., FIG. 1B). In some implementations, the groove 122 may extend in a semicircular arc about the interior of the top portion 120. In

some implementations, the top portion 120 may include a first opening 124 extending therethrough. In some implementations, the first opening 124 of the top portion 124 is aligned with the third opening 144 of the body portion 130 when the top portion 120 is secured to the body portion 130.

As shown in FIG. 2, in some implementations, the back plate 132 of the headset mount 100 may be configured to be received within the rail channel of a helmet mounted rail system 192 (see, e.g., FIG. 5E). In some implementations, the sides 132A, 132B of the back plate 132 may be slanted and configured to interface with the slanted walls of the rail channel (see, e.g., FIG. 5G). In some implementations, the sides 132A, 132B of the back plate 132 are constructed in the form of a male portion of a dovetail joint (see, e.g., FIG. 1B). In this way, when the back plate 132 of the headset mount 100 is inserted into the rail channel (e.g., the female portion of a dovetail joint) of a helmet mounted rail system 192 a secure connection may be achieved (see, e.g., FIG. 5I). In some implementations, the back plate 132 may have any shape suitable for being received within the rail channel of a helmet mounted rail system.

As shown in FIG. 2, in some implementations, the back plate 132 may include a first threaded opening 133A and a second threaded opening 133B, each extending between a top side and a bottom side thereof. In some implementations, the back plate 132 may have a bore 131 extending there-through (see, e.g., FIG. 2).

As shown in FIG. 2, in some implementations, the wire form 112 is configured to be rotatably secured to the housing 105 of the headset mount 100. In some implementations, the bend 116 in the wire form 112 may be configured to fit about the protrusion 134 extending from the body portion 130 of the housing 105 and rotate thereabout (see, e.g., FIG. 3A). In some implementations, the wire form 112 may have a first arm 112A and a second arm 112b extending from the bend 116 therein (see, e.g., FIG. 2). In some implementations, the distal end of the first arm 112A and the second arm 112B each have an adaptor 114A and 114B, respectively, thereon. The two adaptors 114A, 114B together are configured to secure the earpiece 180 of a headset to the wire form 112 of the headset mount 100 (see, e.g., FIG. 4).

In some implementations, the housing 105 of the headset mount 100 may be manufactured from a polymer. In some implementations, the housing 105 may be manufactured from a metal (e.g., an aluminum or steel alloy). In some implementations, the housing 105 may be manufactured from any suitable material. In some implementations, the top portion 120 and the body portion 130 of the housing 105 may be manufactured from different materials.

In some implementations, the back plate 132 of the headset mount 100 may be manufactured from a metal (e.g., an aluminum or steel alloy). In some implementations, the back plate 132 may be manufactured from a polymer. In some implementations, the back plate 132 may be manufactured from any suitable material.

In some implementations, the wire form 112 of the headset mount 100 may be manufactured from a metal. In some implementations, the wire form 112 may be manufactured from any suitable material.

headset mount 100 may comprise a housing 105 having a body portion 130 and a top portion 120, a back plate 132, and a wire form 112.

To assemble a headset mount 100 constructed in accordance with the present disclosure as shown in FIG. 1A, in some implementations, place a nut 150 between the bottom side 140B of the body portion 130 and the top side of the back plate 132. The nut 150 is positioned so that the threaded

5

opening thereof is in axial alignment with the third opening **144** of the body portion and the bore **131** in the back plate **132** (see, e.g., FIG. 2). Then, insert a first screw **108A** and a second screw **108B** into the first opening **142A** and the second opening **142B**, respectively, of the body portion **130** and threadedly secure each screw to the first threaded opening **133A** and the second threaded opening **133B**, respectively, of the back plate **132** (see, e.g., FIG. 3A). In this way, the back plate **132** is adjustably secured to the body portion **130** of the housing **105** (e.g., the distance between the back plate **132** and the bottom side **140B** of the body portion may be varied) and the nut **150** is held in place (see, e.g., FIG. 1B). Next, position the wire form **112** so that the bend **116** thereof is resting about the protrusion **134** of the body portion **130** (see, e.g., FIG. 3A). Then, position the top portion **120** so that the groove **122** about the interior thereof will receive the lip **136** extending from the protrusion **134** of the body portion **130** when they are slid together (see, e.g., 3B). Next, slide the top portion **120** onto the body portion **130** of the housing **105**. Then, insert a screw **110** through the first opening **124** in the top portion **120**, into and through the third opening **144** of the body portion **130**, and threadedly secure the screw **110** to the nut **150** (see, e.g., FIG. 1B). In this way, the top portion **120**, and thereby the wire form **112**, are rotatably secured to the body portion **130** of the headset mount **100**.

To disassemble the headset mount **100**, the above steps may be performed in reverse.

FIGS. 5A-5I illustrate an example method of installing a headset mount **100** constructed in accordance with the present disclosure onto a helmet **190** having a rail system **192**. Initially, in some implementations, remove the screw **110** from the top portion **120** of the housing **105** (see, e.g., FIG. 5A). Then, slide the top portion **120** away from the open end of the wire form **112** and thereby remove it from the body portion **130** of the housing **105** (see, e.g., FIG. 5B). Next, remove the wire form **112** from the body portion **130** (see, e.g., FIG. 5C). Then, loosen the first screw **108A** and the second screw **108B** in the body portion **130** enough to create a gap between the bottom side **140B** of the body portion **130** and the back plate **132** (see, e.g., FIGS. 1B and 5D). Next, slide the back plate **132** into the rail channel of the rail system **192** (see, e.g., FIG. 5E). Then, position the back plate **132** and thereby the housing **105** on the rail system **192** so that an earpiece **180** of a headset will be positioned over the ear of a user when the helmet **190** is worn. Next, tighten the first screw **108A** and the second screw **108B**. In this way, the housing **105** and the back plate **132** may be pulled together and thereby secured to the rail system **192** (see, e.g., FIG. 5F). Then, position the wire form **112** so that the bend **116** thereof is resting about the protrusion **134** of the body portion **130** (see, e.g., FIG. 5G). Next, position the top portion **120** so that the groove **122** about the interior thereof will receive the lip **136** extending from the protrusion **134** of the body portion **130** when they are slid together (see, e.g., 3B). Then, slide the top portion **120** onto the body portion **130** of the housing **105** (see, e.g., FIG. 5H). Next, insert a screw **110** through the first opening **124** in the top portion **120**, into and through the third opening **144** of the body portion **130**, and threadedly secure the screw **110** to the nut **150** (see, e.g., FIGS. 1B and 5I). In this way, the top portion **120**, and thereby the wire form **112**, are rotatably secured to the body portion **130** of the headset mount **100**.

In use, a headset mount **100** is positioned on each side of a user's helmet **190**. In this way, an earpiece **180** of a headset may be positioned over each ear of the user. In some

6

implementations, each headset mount **100** is rotatable between at least a first position and a second position of use. In some implementations, the first position of use places an earpiece **180** of the headset over the ear of a user (see, e.g., FIG. 4). In some implementations, the second position of use places an earpiece **180** of the headset on the user's helmet (e.g., on top of the helmet).

FIGS. 6A-6C illustrate another example implementation of a headset mount according to the principles of the present disclosure. In some implementations, the headset mount **200** is similar to the headset mount **100** discussed above but may include a sliding, rotatable bracket **260** that is secured to the wire form **212**.

As shown in FIG. 6C, in some implementations, a pivot **262** may be secured between the distal ends of the wire forms **212** arms **212A**, **212B**. In some implementations, the pivot **262** may be configured to secure the bracket **260** to the wire form **212**. In some implementations, the pivot **262** is configured to be received within a slot **268** in the bracket **260**. In this way, the pivot **262** may be used to slidably secure the bracket **264** to the wire form **212**. In some implementations, the pivot **262** includes a rounded bearing surface about which the bracket **260** may rotate.

As shown in FIG. 6B, in some implementations, the bracket **260** is configured to secure the earpiece of a headset to the wire form **212** of the headset mount **200**. In some implementations, the bracket **260** may comprise an elongated body portion **264**, a first arm **266A**, and a second arm **266B**. In some implementations, the first arm **266A** and the second arm **266B** may be configured to secure to a first side and a second side, respectively, of a single earpiece. In some implementations, the first arm **266A** and the second arm **266B** extend from the body portion **264** at a perpendicular angle relative thereto (see, e.g., FIG. 6C). In this way, an opening **261** for the earpiece of a headset is defined therebetween.

In some implementations, the body portion **264** of the bracket **260** may include at least one slot **268** therein (see, e.g., FIG. 6C). In some implementations, the slot **268** may be configured to receive therein, slide on, and rotate about a portion of the pivot **262** of the wire form **212** (see, e.g., FIG. 6C). In some implementations, the slot **268** may be configured to allow the relative position of the opening **261** defined by the bracket **260** to be adjusted relative to the wire form **112** of the headset mount **200**. In this way, a user may adjustably position the earpiece of a headset held by the bracket **260** over their ear.

In some implementations, the headset mount **200** may be configured to be positioned on the generally vertical portion **194** of the rail system **192** that is located behind the user's ear when the helmet **190** is worn (see, e.g., FIG. 4). Through the use of the sliding and rotating bracket **260**, the headset mount **200** may be used to selectively position the earpiece of a headset over the ear of a user or the backside of the helmet **190**.

As shown in FIG. 7, in some implementations, the back plate **132** of a headset mount **100** may be configured to fit through the opening of a rail system **292** mounting slot **294** and be secured against an interior side (i.e. the back side) thereof. In this way, the headset mount **100** may be secured to a helmet mounted rail system **292** having a mounting slot **294** therein. In some implementations, the back plate **132** may be configured so that a first side **132A** thereof may be inserted through the opening of the mounting slot **294** prior to the second side **132b** of the back plate **132** being inserted therethrough. Then, in some implementations, the back plate **132** may be oriented and positioned so that a top side thereof

is perpendicular relative to the backside of the opening of the mounting slot 294. Next, in some implementations, the first screw 108A and the second screw 108B of the housing 105 are tightened causing the back plate 132 to press against the backside (interior) side of the mounting slot 294. In this way, the housing of the headset mount 100 may be secured to a rail system 292 having a mounting slot 292 therein.

Reference throughout this specification to “an embodiment” or “implementation” or words of similar import means that a particular described feature, structure, or characteristic is included in at least one embodiment of the present invention. Thus, the phrase “in some implementations” or a phrase of similar import in various places throughout this specification does not necessarily refer to the same embodiment.

Many modifications and other embodiments of the inventions set forth herein will come to mind to one skilled in the art to which these inventions pertain having the benefit of the teachings presented in the foregoing descriptions and the associated drawings.

The described features, structures, or characteristics may be combined in any suitable manner in one or more embodiments. In the above description, numerous specific details are provided for a thorough understanding of embodiments of the invention. One skilled in the relevant art will recognize, however, that embodiments of the invention can be practiced without one or more of the specific details, or with other methods, components, materials, etc. In other instances, well-known structures, materials, or operations may not be shown or described in detail.

While operations are depicted in the drawings in a particular order, this should not be understood as requiring that such operations be performed in the particular order shown or in sequential order, or that all illustrated operations be performed, to achieve desirable results.

The invention claimed is:

**1.** A headset mount comprising:

a housing having a body portion and a top portion, the top portion of the housing is configured to rotate when secured to the body portion, the body portion of the housing comprises an upwardly extending protrusion; a back plate configured to secure the headset mount to an accessory interface on a helmet; and

a wire form comprising a bend having a first arm and a second arm extending therefrom, the bend is configured to rotate about the upwardly extending protrusion of the body portion, the first arm and the second arm together are configured to secure an earpiece of a headset to the wire form;

wherein the bend of the wire form is positioned between the top portion and the body portion of the housing, the top portion of the housing is configured to rotate the wire form about the upwardly extending protrusion of the body portion; and

wherein the top portion of the housing is configured to rotate the wire form between at least a first position of use and a second position of use, the first position of use places an earpiece of a headset secured to the wire form over the ear of a user and the second position of use places an earpiece of a headset secured to the wire form on a helmet to which the headset mount is secured.

**2.** The headset mount of claim 1, wherein the top portion comprises a groove that extends about an interior side thereof and the body portion further comprises a lip that extends about the upwardly extending protrusion thereof; when the top portion of the housing is secured to the bottom

portion of the housing, the lip of the body portion is configured to be received within the groove of the top portion.

**3.** The headset mount of claim 2, wherein the lip of the body portion extends in a semicircular arc about the upwardly extending protrusion of the body portion.

**4.** The headset mount of claim 1, wherein the upwardly extending protrusion of the body portion has a cylindrical shape.

**5.** The headset mount of claim 1, wherein the back plate of the headset mount is adjustably secured to the body portion of the housing.

**6.** The headset mount of claim 5, wherein the back plate is configured to be received within a rail channel of a helmet mounted rail system.

**7.** The headset mount of claim 5, wherein the back plate is configured to fit through an opening of a mounting slot of a helmet mounted rail system and be secured against a back side thereof.

**8.** The headset mount of claim 1, wherein a distal end of the first arm has an adaptor thereon and a distal end of the second arm has an adaptor thereon, together the adaptors are configured to secure an earpiece of a headset to the wire form.

**9.** The headset mount of claim 1, further comprising a pivot secured between a distal end of the first arm and a distal end of the second arm of the wire form; and a sliding rotatable bracket that is secured to the pivot of the wire form, the bracket is configured to secure an earpiece of a headset to the wire form.

**10.** The headset mount of claim 1, further comprising a nut positioned between a bottom side of the body portion and a top side of the back plate; and a screw that extends through a first opening in the top portion, through an opening in the upwardly extending protrusion of the body portion, that is threadedly secured to the nut, in this way the top portion of the housing is configured to rotate when secured to the body portion of the housing.

**11.** A method of securing the headset mount of claim 1 to an accessory interface on a helmet, the method comprising: loosening at least a first screw and a second screw that secure the back plate to the body portion of the housing to create a gap therebetween; sliding the back plate into a rail channel of the accessory interface; and tightening the first screw and the second screw thereby securing the body portion of the headset mount to the accessory interface.

**12.** The method of claim 11, further comprising positioning the body portion of the housing on the accessory interface so that an earpiece of a headset secured to the wire form of the headset mount can be positioned over an ear of a user when the helmet is worn.

**13.** The method of claim 11, further comprising positioning the wire form so that the bend thereof is resting about the upwardly extending protrusion of the body portion; and securing the top portion of the housing to the body portion.

**14.** A headset mount comprising:

a housing having a body portion and a top portion, the top portion of the housing is configured to rotate when secured to the body portion, the body portion of the housing comprises an upwardly extending protrusion; a back plate configured to secure the headset mount to an accessory interface on a helmet; and

a wire form comprising a bend having a first arm and a second arm extending therefrom, the bend is configured to rotate about the upwardly extending protrusion of the



body portion, a distal end of the first arm has an adaptor thereon and a distal end of the second arm has an adaptor thereon, together the adaptors are configured to secure an earpiece of a headset to the wire form; wherein the bend of the wire form is positioned between the top portion and the body portion of the housing, the top portion of the housing is configured to rotate the wire form about the upwardly extending protrusion of the body portion.

15. The headset mount of claim 14, wherein the top portion comprises a groove that extends about an interior side thereof and the body portion further comprises a lip that extends about the upwardly extending protrusion thereof; when the top portion of the housing is secured to the bottom portion of the housing, the lip of the body portion is configured to be received within the groove of the top portion.

16. The headset mount of claim 15, wherein the lip of the body portion extends in a semicircular arc about the upwardly extending protrusion of the body portion.

17. The headset mount of claim 14, wherein the upwardly extending protrusion of the body portion has a cylindrical shape.

18. The headset mount of claim 14, wherein the back plate of the headset mount is adjustably secured to the body portion of the housing.

19. The headset mount of claim 18, wherein the back plate is configured to be received within a rail channel of a helmet mounted rail system.

20. The headset mount of claim 18, wherein the back plate is configured to fit through an opening of a mounting slot of a helmet mounted rail system and be secured against a back side thereof.

21. The headset mount of claim 14, wherein the top portion of the housing is configured to rotate the wire form between at least a first position and a second position of use.

22. The headset mount of claim 21, wherein the first position of use places an earpiece of a headset secured to the wire form over the ear of a user and the second position of use places an earpiece of a headset secured to the wire form on a helmet to which the headset mount is secured.

23. The headset mount of claim 14, further comprising a nut positioned between a bottom side of the body portion and a top side of the back plate; and a screw that extends through a first opening in the top portion, through an opening in the upwardly extending protrusion of the body portion, that is threadedly secured to the nut, in this way the top portion of the housing is configured to rotate when secured to the body portion of the housing.

24. A method of securing the headset mount of claim 14 to an accessory interface on a helmet, the method comprising:

loosening at least a first screw and a second screw that secure the back plate to the body portion of the housing to create a gap therebetween;  
sliding the back plate into a rail channel of the accessory interface; and  
tightening the first screw and the second screw thereby securing the body portion of the headset mount to the accessory interface.

25. The method of claim 24, further comprising positioning the body portion of the housing on the accessory interface so that an earpiece of a headset secured to the wire form of the headset mount can be positioned over an ear of a user when the helmet is worn.

26. The method of claim 24, further comprising positioning the wire form so that the bend thereof is resting about the

upwardly extending protrusion of the body portion; and securing the top portion of the housing to the body portion.

27. A headset mount comprising:

a housing having a body portion and a top portion, the top portion of the housing is configured to rotate when secured to the body portion, the body portion of the housing comprises an upwardly extending protrusion; a back plate configured to secure the headset mount to an accessory interface on a helmet; and

a wire form comprising a bend having a first arm and a second arm extending therefrom, the bend is configured to rotate about the upwardly extending protrusion of the body portion, a pivot is secured between a distal end of the first arm and a distal end of the second arm, a sliding rotatable bracket is secured to the pivot, the bracket is configured to secure an earpiece of a headset to the wire form;

wherein the bend of the wire form is positioned between the top portion and the body portion of the housing, the top portion of the housing is configured to rotate the wire form about the upwardly extending protrusion of the body portion.

28. The headset mount of claim 27, wherein the top portion comprises a groove that extends about an interior side thereof and the body portion further comprises a lip that extends about the upwardly extending protrusion thereof; when the top portion of the housing is secured to the bottom portion of the housing, the lip of the body portion is configured to be received within the groove of the top portion.

29. The headset mount of claim 28, wherein the lip of the body portion extends in a semicircular arc about the upwardly extending protrusion of the body portion.

30. The headset mount of claim 27, wherein the upwardly extending protrusion of the body portion has a cylindrical shape.

31. The headset mount of claim 27, wherein the back plate of the headset mount is adjustably secured to the body portion of the housing.

32. The headset mount of claim 31, wherein the back plate is configured to be received within a rail channel of a helmet mounted rail system.

33. The headset mount of claim 31, wherein the back plate is configured to fit through an opening of a mounting slot of a helmet mounted rail system and be secured against a back side thereof.

34. The headset mount of claim 27, wherein the top portion of the housing is configured to rotate the wire form between at least a first position and a second position of use.

35. The headset mount of claim 34, wherein the first position of use places an earpiece of a headset secured to the wire form over the ear of a user and the second position of use places an earpiece of a headset secured to the wire form on a helmet to which the headset mount is secured.

36. The headset mount of claim 27, further comprising a nut positioned between a bottom side of the body portion and a top side of the back plate; and a screw that extends through a first opening in the top portion, through an opening in the upwardly extending protrusion of the body portion, that is threadedly secured to the nut, in this way the top portion of the housing is configured to rotate when secured to the body portion of the housing.

37. A method of securing the headset mount of claim 27 to an accessory interface on a helmet, the method comprising:

loosening at least a first screw and a second screw that  
secure the back plate to the body portion of the housing  
to create a gap therebetween;  
sliding the back plate into a rail channel of the accessory  
interface; and  
tightening the first screw and the second screw thereby  
securing the body portion of the headset mount to the  
accessory interface.

5

**38.** The method of claim 37, further comprising position-  
ing the body portion of the housing on the accessory  
interface so that an earpiece of a headset secured to the wire  
form of the headset mount can be positioned over an ear of  
a user when the helmet is worn.

10

**39.** The method of claim 37, further comprising position-  
ing the wire form so that the bend thereof is resting about the  
upwardly extending protrusion of the body portion; and  
securing the top portion of the housing to the body portion.

15

\* \* \* \* \*