



US010188166B2

(12) **United States Patent**  
**Zimmer**

(10) **Patent No.:** **US 10,188,166 B2**  
(45) **Date of Patent:** **Jan. 29, 2019**

(54) **HELMET MOUNTED LIGHTING SYSTEM**

(56) **References Cited**

(71) Applicant: **Trent Zimmer**, Houma, LA (US)

U.S. PATENT DOCUMENTS

(72) Inventor: **Trent Zimmer**, Houma, LA (US)

4,665,568	A *	5/1987	Stutes	.....	A42B 1/004	362/105
5,758,947	A *	6/1998	Glatt	.....	A42B 3/044	362/106
6,325,521	B1 *	12/2001	Gregg	.....	A42B 3/044	362/106
6,328,454	B1 *	12/2001	Davis	.....	A42B 3/044	362/105
8,444,291	B2	5/2013	Swan et al.			
8,908,389	B2 *	12/2014	Teetzel	.....	F41H 1/04	2/205

(\* ) Notice: Subject to any disclaimer, the term of this patent is extended or adjusted under 35 U.S.C. 154(b) by 51 days.

(21) Appl. No.: **15/264,626**

(22) Filed: **Sep. 14, 2016**

(65) **Prior Publication Data**

US 2017/0071279 A1 Mar. 16, 2017

**Related U.S. Application Data**

(60) Provisional application No. 62/218,085, filed on Sep. 14, 2015.

(51) **Int. Cl.**

<b>A42B 3/00</b>	(2006.01)
<b>A42B 3/04</b>	(2006.01)
<b>F21L 4/00</b>	(2006.01)
<b>F21V 23/02</b>	(2006.01)
<b>F21V 23/04</b>	(2006.01)
<b>F21V 23/00</b>	(2015.01)
<b>F21V 21/08</b>	(2006.01)

\* cited by examiner

*Primary Examiner* — Anh Mai

*Assistant Examiner* — Meghan Ulanday

(74) *Attorney, Agent, or Firm* — F. Wayne Thompson, Jr.; Asgaard Patent Services, LLC

(52) **U.S. Cl.**

CPC ..... **A42B 3/044** (2013.01); **A42B 3/0453** (2013.01); **F21L 4/00** (2013.01); **F21V 23/023** (2013.01); **F21V 21/0808** (2013.01); **F21V 23/005** (2013.01); **F21V 23/0414** (2013.01)

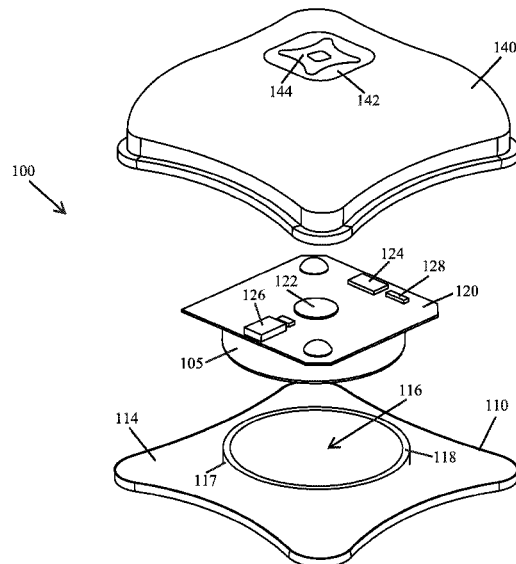
(57) **ABSTRACT**

Implementations of a helmet mounted lighting system are provided. In some implementations, the lighting system may be mounted to a helmet, hard hat, and/or other type of protective headwear. In some implementations, the lighting system acts as a safety device when mounted to a protective headwear by providing illumination which serves as a visual indicator of the wearer's presence and/or location. In some implementations, the lighting system may comprise a mounting plate, a cover, a battery, and a printed circuit board (PCB). In some implementations, the PCB may comprise a logic board, one light emitting diode (LED), a capacitor, and/or a switch. Together, the mounting plate and cover form a housing that encases the battery and the PCB. In some implementations, the bottom side of the mounting plate may be contoured for attachment to the curved exterior surface of a protective headwear.

(58) **Field of Classification Search**

CPC ..... A42B 3/044; A42B 3/0453; F21L 4/00; F21V 23/023; F21V 21/0808; F21V 23/005; F21V 23/0414  
USPC ..... 362/105  
See application file for complete search history.

**13 Claims, 6 Drawing Sheets**



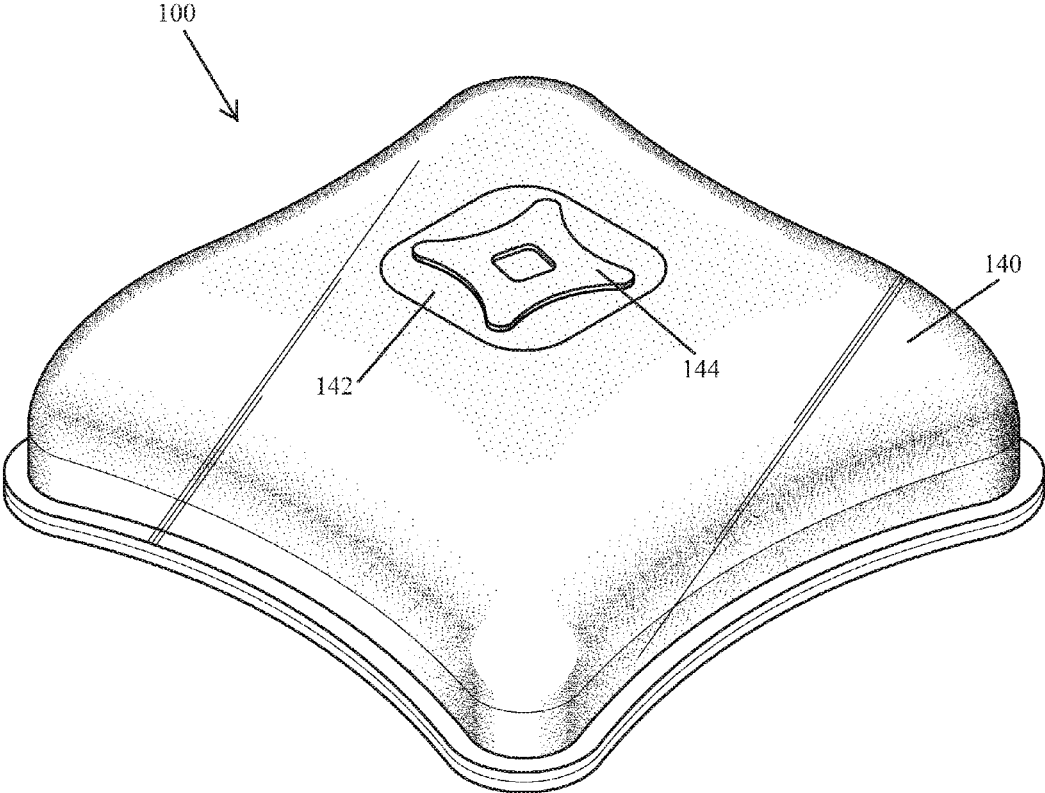


FIG. 1

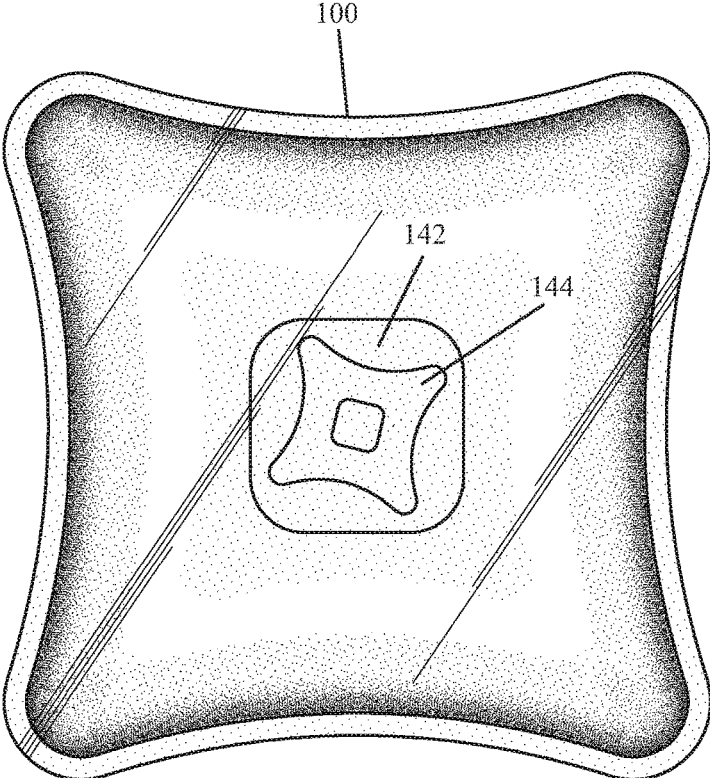


FIG. 2

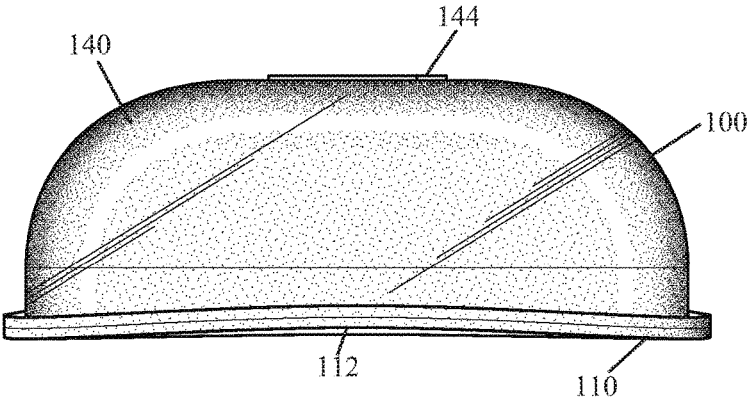


FIG. 3

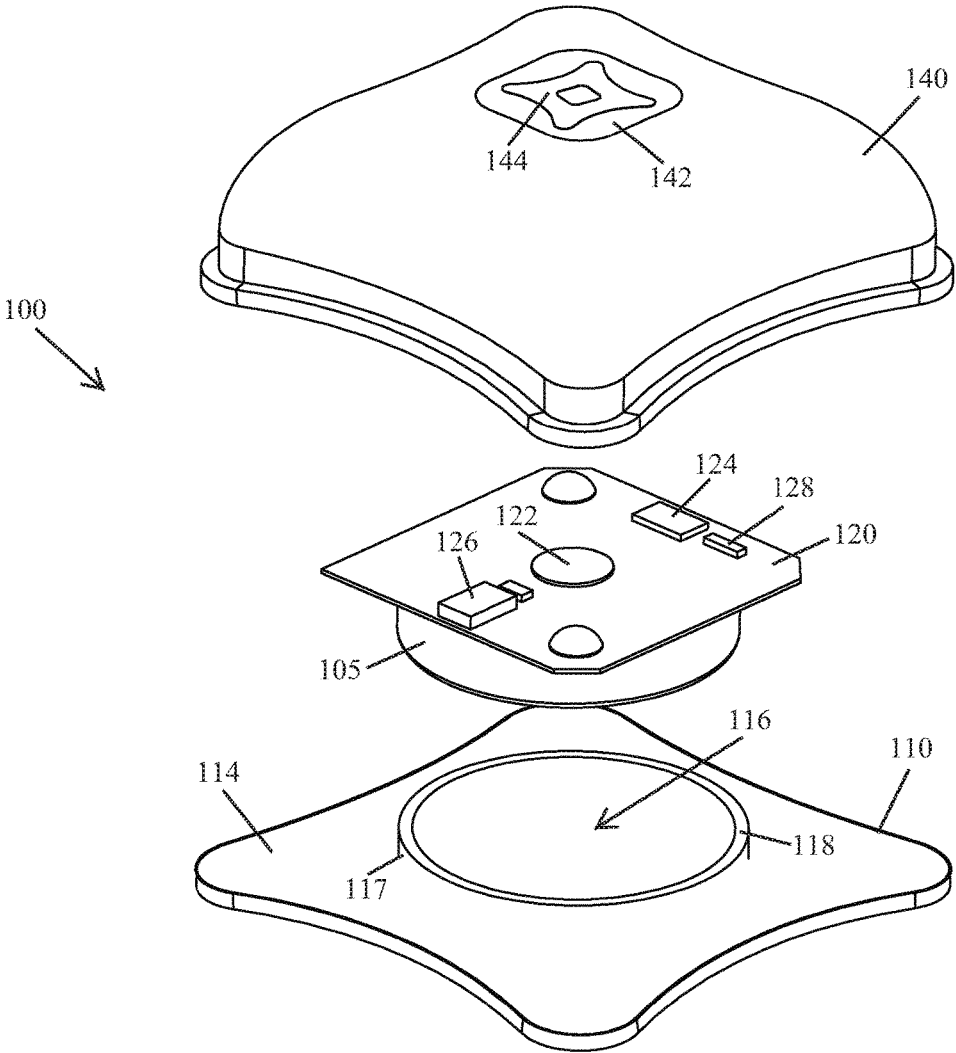


FIG. 4

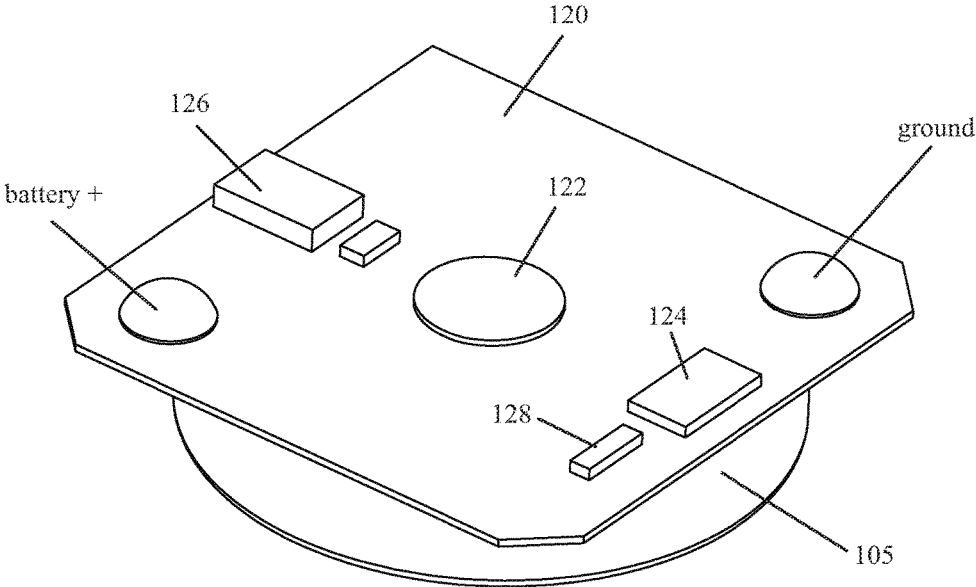


FIG. 5

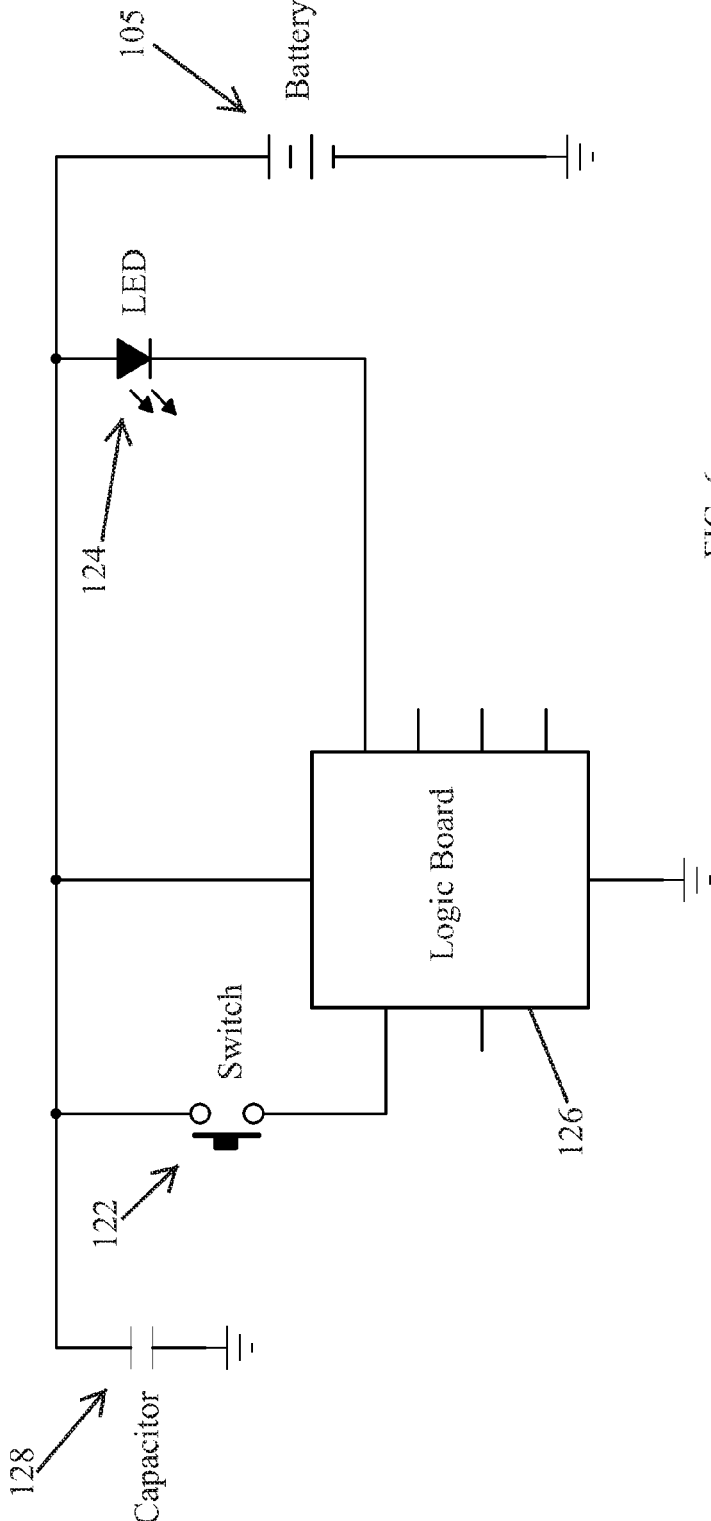


FIG. 6

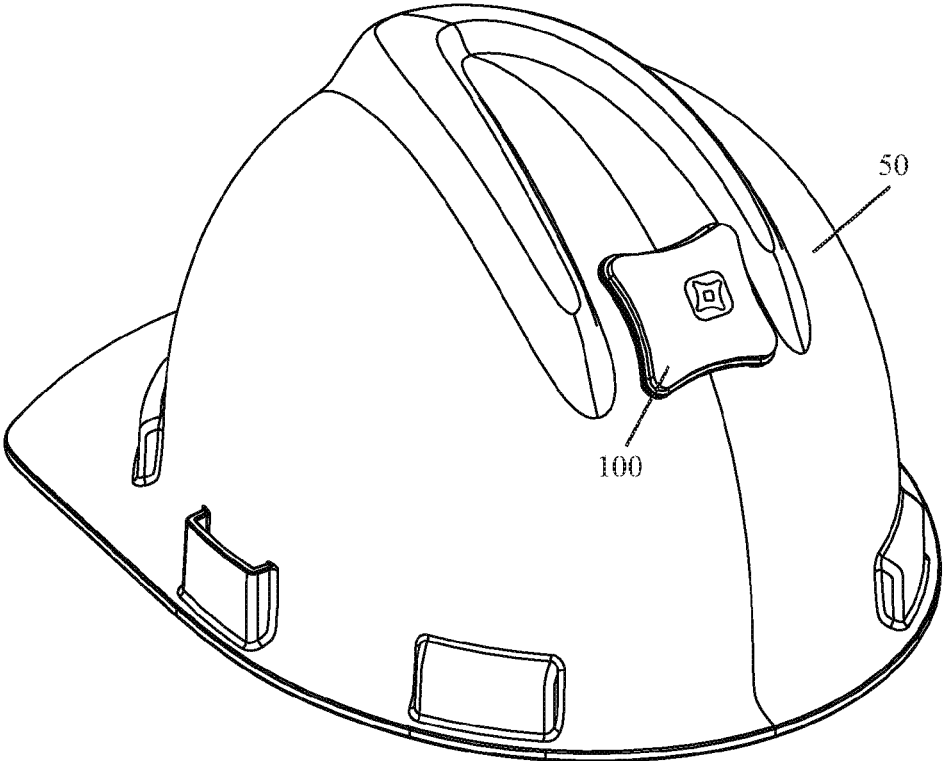


FIG. 7

## HELMET MOUNTED LIGHTING SYSTEM

## CROSS REFERENCE TO RELATED APPLICATION

This application claims the benefit of U.S. Provisional Application Ser. No. 62/218,085, filed on Sep. 14, 2015, and is incorporated herein by reference in its entirety.

## TECHNICAL FIELD

This disclosure relates to implementations of a helmet mounted lighting system.

## BACKGROUND

A helmet is a form of protective gear worn to protect the head from injuries. Attaching a light source to a helmet is well known in the prior art. In general, a light source is affixed to a helmet for activities such as hiking, caving, mining, and other activities where a user may want or need hands-free lighting. A helmet mounted light source may also serve as a visual indicator of a wearer's presence and thereby act as a safety device.

Therefore, there is a need for a helmet mounted lighting system that may be securely mounted on a helmet or other type of protective headwear.

## SUMMARY OF THE INVENTION

Implementations of a helmet mounted lighting system are provided. In some implementations, the lighting system may be mounted to a helmet, hard hat, and/or other type of protective headwear. In some implementations, the lighting system acts as a safety device when mounted to a helmet, hard hat, and/or other type of protective headwear by providing illumination which serves as a visual indicator of the wearer's presence and/or location.

In some implementations, the lighting system may comprise a battery, a mounting plate, a printed circuit board (PCB), and a cover. In some implementations, the PCB may comprise a logic board, one light emitting diode (LED), a capacitor, and a switch thereon. Together, the mounting plate and the cover form a housing for the battery and the PCB.

In some implementations, the bottom side of the mounting plate may be contoured to fit against the curved exterior surface of a protective headwear. In some implementations, the bottom side of the mounting plate may be configured to fit flush against the curved exterior surface of a protective headwear.

In some implementations, the top side of the mounting plate may include a receptacle thereon configured to receive the battery therein. In some implementations, the receptacle is configured to prevent the lateral movement of the battery and the connected PCB.

In some implementations, the switch may be toggled by pressing on the flexible cover of the housing until it makes contact with the switch. In this way, the user may selectively energize the LED and/or the electronic circuit as a whole.

In some implementations, the cover may be transparent or translucent. In this way, the LED may be visible when illuminated.

In some implementations, the LED may be conductively connected to the battery, the logic board, the switch, and the capacitor through the PCB. In some implementations, the PCB may include more than one LED thereon, for example three LEDs.

In some implementations, the logic board may be configured to control the operation of the LED conductively connected to the switch. In some implementations, one or more programs used to control the operation of the LED may be stored in the memory of the logic board. In some implementations, a program may control the frequency and the duration of the LED's operation. For example, a program may be used to turn the LED on or off, or cause the LED to flash intermittently (i.e., strobe). In some implementations, the switch may be used to select and/or initiate a program stored in the memory of the logic board and thereby control the operation of the LED. In some implementations, the logic board may not be programmable.

In some implementations, an LED may emit a white light when energized. In some implementations, an LED may emit a colored light (e.g., red, blue, green, etc.) when energized. In some implementations, an LED may emit an infrared light when energized. In this way, the light may only be visible to a third party utilizing a device capable of seeing infrared light (e.g., a night vision device).

## BRIEF DESCRIPTION OF THE DRAWINGS

FIG. 1 illustrates a top perspective view of a helmet mounted lighting system according to the principles of the present disclosure.

FIG. 2 illustrates a top view of the helmet mounted lighting system shown in FIG. 1.

FIG. 3 illustrates a side elevation view of the helmet mounted lighting system shown in FIG. 1.

FIG. 4 illustrates an exploded view of the helmet mounted lighting system shown in FIG. 1.

FIG. 5 illustrates a printed circuit board (PCB) and battery according to the principles of the present disclosure.

FIG. 6 illustrates an example schematic view of the electronic circuit of the helmet mounted lighting system according to the principles of the present disclosure.

FIG. 7 illustrates a helmet mounted lighting system secured to the backside of an example helmet in according to the principles of the present disclosure.

## DETAILED DESCRIPTION

FIGS. 1-7 illustrate an example helmet mounted lighting system **100** according to the present disclosure. In some implementations, the lighting system **100** may be mounted to a helmet, hard hat, and/or other type of protective headwear **50** (see, e.g., FIG. 7). In some implementations, the lighting system **100** acts as a safety device when mounted to a helmet, hard hat, and/or other type of protective headwear by providing illumination which serves as a visual indicator of the wearer's presence and/or location.

As shown in FIG. 4, in some implementations, the lighting system **100** may comprise a battery **105**, a mounting plate **110**, a printed circuit board (PCB) **120**, and a cover **140**. In some implementations, the PCB **120** may comprise a logic board **126**, one light emitting diode (LED) **124**, a capacitor **128**, and/or a switch **122** thereon (see, e.g., FIG. 1A). In some implementations, the mounting plate **110** and cover **140** together form a housing that encases the battery **105** and the PCB **120**.

As shown in FIGS. 1, 3, and 4, in some implementations, the cover **140** may be dome shaped thereby defining an interior space. In this way, the battery **105** and the PCB **120** may be housed within the interior space of the cover **140**. In some implementations, the cover **140** may have an indentation **142** thereon (see, e.g., FIGS. 1 and 2). In some



implementations, the indentation **142** may be centrally located on the cover **140** (see, e.g., FIG. **1**). In some implementations, the indentation **142** may not be centrally located on the cover **140**. In some implementations, the cover **140** may not have an indentation **142** thereon.

In some implementations, the indentation **142** may have indicia **144** or other symbol therein (see, e.g., FIGS. **1** and **2**). In some implementations, the indicia **144** may protrude above the exterior surface of the cover **140** (see, e.g., FIG. **3**).

As shown in FIG. **3**, in some implementations, the cover **140** may be configured to be secured to the mounting plate **110**. In some implementations, the cover **140** may be fused to the mounting plate **110** thereby sealing the battery **105** and PCB **120** therein. In this way, the cover **140** and the mounting plate **110** may be assembled to form a water proof housing that encases the battery **105** and the PCB **120**.

In some implementations, the cover **140** may be transparent or translucent. In this way, the LED **124** may be visible when illuminated.

As shown in FIGS. **3** and **4**, in some implementations, the mounting plate **110** of the lighting system **100** has a bottom side **112** and a top side **114**.

In some implementations, the bottom side **112** of the mounting plate **110** of the lighting system **100** may be contoured for attachment to the curved exterior surface of a helmet **50**, hardhat, and/or other type of protective headwear (see, e.g., FIG. **7**). In some implementations, the bottom side **112** of the mounting plate **110** may be configured to fit flush, or nearly flush, with the curved exterior surface of a protective headwear. In some implementations, the bottom side **112** of the mounting plate **110** may be flat (not shown). In some implementations, hook and loop fasteners (e.g., Velcro®) may be used to removably secure the bottom side **112** of the mounting plate **110**, and thereby the lighting system **100**, to the exterior of a helmet, hardhat, and/or other type of protective headwear. In some implementations, an adhesive may be used to secure the bottom side **112** of the mounting plate **110** to the exterior of a helmet, hardhat, and/or other type of protective headwear. In some implementations, a peel-off liner may be used to cover the adhesive on the bottom side **112** of the mounting plate **110** to protect it until the lighting system **100** is mounted on a helmet.

As shown in FIG. **4**, in some implementations, the top side **114** of the mounting plate **110** may include a receptacle **116** thereon that is configured to receive the battery **105** therein. In this way, lateral movement of the battery **105** may be prevented. In some implementations, the receptacle **116** may comprise a cylindrical side wall **117** extending upwardly from the top side **114** of the mounting plate **110**. In some implementations, the top side of the cylindrical side wall **117** may include an annular ledge **118** thereon (see, e.g., FIG. **4**). In some implementations, the opening defined by the cylindrical side wall **117** is configured to receive the battery **105** therein and the annular ledge **118** is configured so that at least a portion of the PCB **120** may rest thereon.

In some implementations, the cover **140** and the mounting plate **110** may be manufactured from a flexible silicon rubber. In some implementations, the cover **140** and the mounting plate **110** may be manufactured from any suitably flexible material. In some implementations, the cover **140** and the mounting plate **110** may be manufactured from different materials.

As shown in FIG. **5**, in some implementations, the PCB **120** may have the general shape of a square. In some implementations, the PCB **120** may be any shape or dimen-

sion suitable for being received within the interior space formed between the mounting plate **110** and the cover **140** of the lighting system **100**.

In some implementations, the LED **124** may be conductively connected to the power source **105** (e.g., a battery), the logic board **126**, the switch **122**, and the capacitor **128** through the PCB **120** (see, e.g., FIG. **6**). In some implementations, the switch **122** may be used to selectively energize the LED **124** on the PCB **120**. In some implementations, the PCB **120** may include more than one LED **124** thereon, for example three LEDs.

In some implementations, the switch **122** may be positioned on a top side of the PCB **120** so that it is below the indentation **142** of an assembled lighting system **100** (see, e.g., FIG. **4**). In this way, the user may toggle the switch **122** by pressing the indentation **142** and/or indicia **144** of the flexible cover **140** inwardly until the interior side of the cover **140** makes contact with the switch **122**. In some implementations, the switch **122** is configured to selectively energize the LED **124** and/or the electronic circuit as a whole (see, e.g., FIG. **6**). In some implementations, the switch **122** may be a dome type switch. In some implementations, any switch type suitable for use as part of the lighting system **100** disclosed herein may be used. In some implementations, the switch **122** may be located in the center of the PCB **120** (see, e.g., FIG. **5**). In some implementations, the switch **122** may be positioned on the PCB **120** in any suitable location.

In implementations of the lighting system **100** without an indentation **142** and/or indicia **144** on the cover **140**, the user simply presses the flexible cover **140** inwardly until the interior side of the cover **140** makes contact with the switch **122**.

In some implementations, the logic board **126** may be configured to control the operation of the LED **124** conductively connected to the switch **122**. In some implementations, the logic board **126** may be conductively connected to an energy source, for example, the battery **105** secured to the PCB **120** (see, e.g., FIG. **5**).

In some implementations, the logic board **126** may be programmable. In some implementations, one or more programs used to control the operation of the LED **124** may be stored in the memory of the logic board **126**. In some implementations, a program may control the frequency and the duration of the LED's **124** operation. For example, a program may be used to turn the LED **124** on or off, or cause the LED **124** to flash intermittently (i.e., strobe). In some implementations, the switch **122** may be used to select and/or initiate a program stored in the memory of the logic board **126** and thereby control the operation of the LED **124**. In some implementations, the logic board **126** may not be programmable. Methods of constructing and/or selecting a logic board **126** to control the operation of the LED **124** conductively connected to the PCB **120** would be known to one of ordinary skill in the art.

In some implementations, the electronic circuitry (e.g., the PCB **120**) may not include a logic board **126**. In this case, the LED **124** may be toggled on and off using the switch **122**.

In some implementations, the capacitor **128** may be configured to regulate the light output (e.g., lumens) of the LED **124**. In some implementations, the capacitor **128** may be configured to ensure a consistent light output (e.g., lumens) by the LED **124** during the entire service life of a battery **105**. In this way, the lighting system **100** may have a known service life. By knowing the service life of a battery **105** and thereby the lighting system **100**, the lighting system

**100** may be replaced on a predictable schedule. One of ordinary skill in the art having the benefit of the present disclosure would know how to select an appropriate capacitor **128**. In some implementations, the electronic circuitry (e.g., the PCB **120**) may not include a capacitor **128**.

In some implementations, the battery **105** and the PCB **120** may be fused together inside and positioned inside of the housing of the lighting system **100**. In this way, the lighting system **100** may be disposable. In some implementations, the battery **105** may be removable from the PCB **120**.

In some implementations, an LED **124** may emit a white light when energized. In some implementations, an LED **124** may emit a colored light (e.g., red, blue, green, etc.) when energized. In some implementations, an LED **124** may emit an infrared light when energized. In this way, the light may only be visible to a third party utilizing a device capable of seeing infrared light (e.g., a night vision device).

Reference throughout this specification to “an embodiment” or “implementation” or words of similar import means that a particular described feature, structure, or characteristic is included in at least one embodiment of the present invention. Thus, the phrase “in some implementations” or a phrase of similar import in various places throughout this specification does not necessarily refer to the same embodiment.

Many modifications and other embodiments of the inventions set forth herein will come to mind to one skilled in the art to which these inventions pertain having the benefit of the teachings presented in the foregoing descriptions and the associated drawings.

The described features, structures, or characteristics may be combined in any suitable manner in one or more embodiments. In the above description, numerous specific details are provided for a thorough understanding of embodiments of the invention. One skilled in the relevant art will recognize, however, that embodiments of the invention can be practiced without one or more of the specific details, or with other methods, components, materials, etc. In other instances, well-known structures, materials, or operations may not be shown or described in detail.

While operations are depicted in the drawings in a particular order, this should not be understood as requiring that such operations be performed in the particular order shown or in sequential order, or that all illustrated operations be performed, to achieve desirable results.

The invention claimed is:

**1.** A helmet mounted lighting system comprising:

a housing comprising a mounting plate and a cover, the housing is configured to encase an electronic circuit, the electronic circuit comprises a power source, a switch, a capacitor, a logic board, and at least one light emitting diode;

wherein:

a bottom side of the mounting plate is contoured for attachment to a curved exterior surface of a helmet;

a top side of the mounting plate includes a receptacle thereon configured to receive the power source therein, the receptacle comprises a sidewall extending upwardly from the top side of the mounting plate, a top side of the sidewall includes a ledge thereon, the ledge is configured to support at least a portion of a printed circuit board on which the switch, the capacitor, the at least one light emitting diode, and the logic board are located;

the switch is configured to selectively energize the at least one light emitting diode;

the logic board, in conjunction with the switch, is configured to control the operation of the at least one light emitting diode; and

the capacitor is configured to regulate the light output of the at least one light emitting diode.

**2.** The helmet mounted lighting system of claim **1**, wherein the power source is at least one battery.

**3.** The helmet mounted lighting system of claim **1**, wherein the cover of the housing is flexible.

**4.** The helmet mounted lighting system of claim **3**, wherein the cover of the housing includes an indentation thereon; wherein the switch of the electronic circuit is positioned below the indentation of the cover; and wherein the switch of the electronic circuit is toggled by depressing the cover of the housing inwardly until the cover makes contact with the switch.

**5.** A helmet mounted lighting system comprising:

a housing comprising a mounting plate and a cover, the housing is configured to encase an electronic circuit, the electronic circuit comprises a power source, a switch, a capacitor, and at least one light emitting diode;

wherein:

a bottom side of the mounting plate is contoured for attachment to a curved exterior surface of a helmet;

a top side of the mounting plate includes a receptacle thereon configured to receive the power source therein, the receptacle comprises a sidewall extending upwardly from the top side of the mounting plate, a top side of the sidewall includes a ledge thereon, the ledge is configured to support at least a portion of a printed circuit board on which the switch, the capacitor, and the at least one light emitting diode are located;

the switch is configured to selectively energize the at least one light emitting diode; and

the capacitor is configured to regulate the light output of the at least one light emitting diode.

**6.** The helmet mounted lighting system of claim **5**, wherein the power source is at least one battery.

**7.** The helmet mounted lighting system of claim **5**, wherein the cover of the housing is flexible.

**8.** The helmet mounted lighting system of claim **7**, wherein the cover of the housing includes an indentation thereon; wherein the switch of the electronic circuit is positioned below the indentation of the cover; and wherein the switch of the electronic circuit is toggled by depressing the cover of the housing inwardly until the cover makes contact with the switch.

**9.** A helmet mounted lighting system comprising:

a housing comprising a mounting plate and a cover, the housing is configured to encase an electronic circuit, the electronic circuit comprises a power source, a switch, a capacitor, and at least one light emitting diode;

wherein:

a bottom side of the mounting plate is contoured for attachment to a curved exterior surface of a helmet;

a top side of the mounting plate includes a receptacle thereon configured to receive the power source therein, the receptacle comprises a cylindrical sidewall extending upwardly from the top side of the mounting plate, a top side of the sidewall includes an annular ledge thereon, the annular ledge is configured to support at least a portion of a printed circuit board on which the switch, the capacitor, and the at least one light emitting diode are located;

the switch is configured to selectively energize the at least one light emitting diode; and the capacitor is configured to regulate the light output of the at least one light emitting diode.

**10.** The helmet mounted lighting system of claim **9**, wherein the power source is at least one battery.

**11.** The helmet mounted lighting system of claim **9**, wherein the cover of the housing is flexible.

**12.** The helmet mounted lighting system of claim **11**, wherein the cover of the housing includes an indentation thereon; wherein the switch of the electronic circuit is positioned below the indentation of the cover; and wherein the switch of the electronic circuit is toggled by depressing the cover of the housing inwardly until the cover makes contact with the switch.

**13.** The helmet mounted lighting system of claim **9**, wherein the electronic circuit further comprises a logic board; and wherein the logic board, in conjunction with the switch, is configured to control the operation of the at least one light emitting diode.

\* \* \* \* \*